

Dashboard Center Pocket Removal and Installation

Removal

Removal

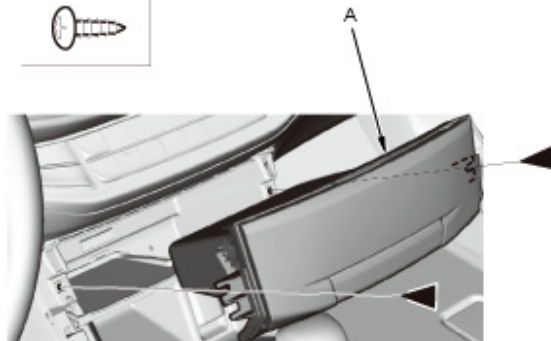
1. Center Console Side Trim - Remove

[Remove the center console side trim.](#)

2. Center Pocket - Remove

Fastener Locations

► : 2



Remove the center pocket (A).

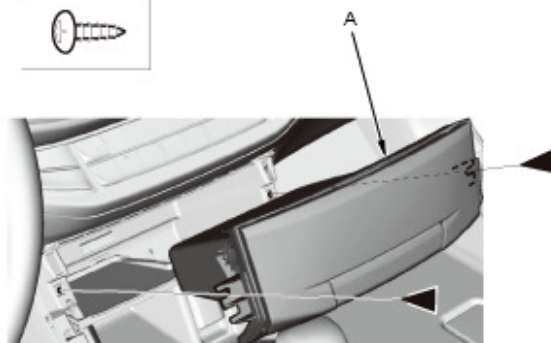
Installation

Installation

1. Center Pocket - Install

Fastener Locations

► : 2



Install the center pocket (A).

2. Center Console Side Trim - Install

[Install the center console side trim.](#)