

HandsFreeLink Control Unit Removal and Installation

Removal

Removal

NOTE: Tell the customer they need to write down all phone numbers as there is no way to transfer the information in the original HandsFreeLink control unit to a new HandsFreeLink control unit.

1. Center Pocket (Without Navigation) - Remove

[Remove the center pocket.](#)

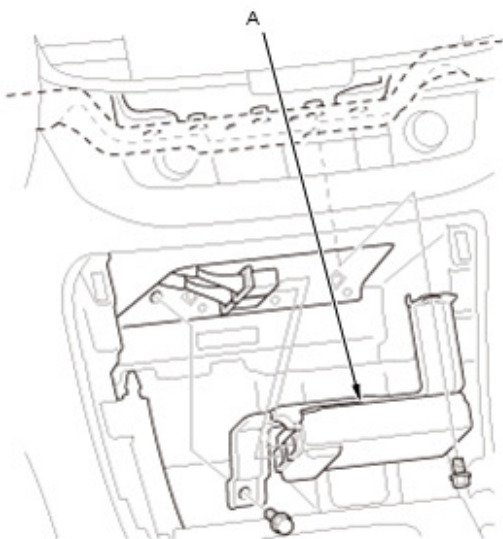
2. Navigation Switch Panel (With Navigation) - Remove

[Remove the navigation switch panel.](#)

3. HandsFreeLink Control Unit - Remove

1. Disconnect the HandsFreeLink control unit connector(s).

2. Remove the HandsFreeLink control unit (A).



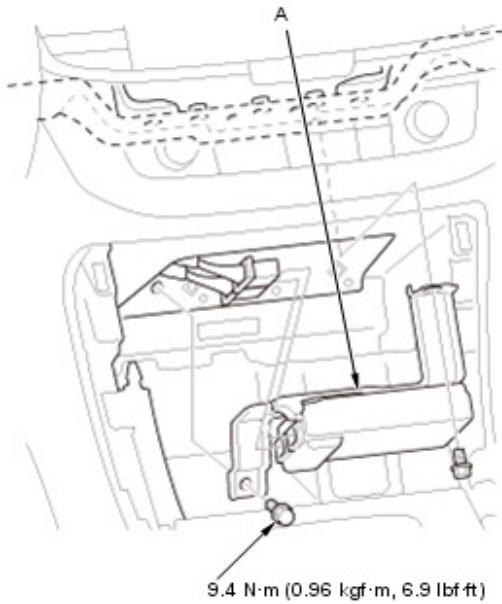
Installation

Installation

NOTE:

- Tell the customer they need to write down all phone numbers as there is no way to transfer the information in the original HandsFreeLink control unit to a new HandsFreeLink control unit.
- After replacing the HandsFreeLink control unit, tell the customer:
 - They need to pair their phones to the system.
 - They need to set up their system preferences.

1. HandsFreeLink Control Unit - Install



1. Install the HandsFreeLink control unit (A).
2. Connect the HandsFreeLink control unit connector(s).

2. Center Pocket (Without Navigation) - Install

[Install the center pocket.](#)

3. Navigation Switch Panel (With Navigation) - Install

[Install the navigation switch panel.](#)