

1998 Cadillac Catera

1998 GENERAL MOTORS Catera

1998 GENERAL MOTORS

Catera

BUZZERS, RELAYS & TIMERS

BUZZERS, RELAYS & TIMERS

Component	Component Location
A/C Compressor Relay	On left front of engine compartment, in ECM housing.
Auxiliary Water Pump Relay	On left front of engine compartment, in ECM housing.
Daytime Running Lamp (DRL) Relay	On right side of steering column, on relay box. See Fig. 4 .
Door Lock Relay	Mounted on lower right A-pillar, behind BCM.
Driver Seat Heater Relay	Under left side of dash. See Fig. 4 .
ECM Relay	On left front of engine compartment, in ECM housing.
Engine Controls Power Relay	On left front of engine compartment, in ECM housing.
Fan Control Relays (5)	On left front of engine compartment, in ECM housing.
Fuel Pump Relay	On left front of engine compartment, in ECM housing.
Heated Outside Rear View Mirror & Rear Window Defogger Relay	On right side of steering column, on relay box. See Fig. 4 .
Horn Relay	On right side of steering column, on relay box. See Fig. 4 .
Left Headlamp Relay (High Beam)	On right side of steering column, on relay box. See Fig. 4 .
Low Beam Relay	On right side of steering column, on relay box. See Fig. 4 .
Multi-Function Relay	Under left side of dash.
Park Lamp Relay	On right side of steering column, on relay box. See Fig. 4 .
Passenger Seat Heater Relay	Under left side of dash. See Fig. 4 .
Rear Seat Cushion Heater Relay	Under left side of rear seat.
Rear Suspension Leveling Air Compressor Relay	On right side of steering column, on relay box. See Fig. 4 .
Right Headlamp Relay (High Beam)	On right side of steering column, on relay box. See Fig. 4 .
Secondary Air Injection Pump Relay	On left front of engine compartment, in ECM housing.
Turn Signal Flasher	On right side of steering column, on relay box. See Fig. 4 .
Windshield Wiper Motor Relay	On left front of engine compartment, in ECM housing.

CIRCUIT PROTECTION DEVICES

1998 Cadillac Catera

1998 GENERAL MOTORS Catera

CIRCUIT PROTECTION DEVICES

Component	Component Location
Fuse Block	Mounted to dash, on lower left side of steering column.
Power Distribution Fuse Block	On left front of engine compartment, attached to ECM housing.
Relay Box	To right side of steering column. See Fig. 4 .

CONTROL UNITS**CONTROL UNITS**

Component	Component Location
Blower Controller	Behind right side of dash, part of HVAC module.
Body Control Module (BCM)	Mounted on right A-pillar, behind trim panel.
Cruise Control Module	On right rear of engine compartment, mounted to lower rail.
Driver Seat Adjuster Memory Module	Attached to underside of driver's seat.
Electronic Brake/Traction Control Module (EBTCM)	On left front of engine compartment, mounted to lower rail.
Engine Control Module (ECM)	On left front of engine compartment, in ECM housing. See Fig. 1 .
Inflatable Restraint Driver Seat Module	Mounted on left side of driver seat backrest.
Inflatable Restraint I/P Module	Mounted inside right side of dash.
Inflatable Restraint Passenger Seat Module	Mounted on right side of passenger seat backrest.
Inflatable Restraint Sensing/Diagnostic/Seat Belt Pretensioner Module	Under center console, near parking brake lever.
Inflatable Restraint Steering Wheel Module	Mounted on steering column.
Multi-Function Relay Module	Under left side of dash. See Fig. 4 .
Power Steering Control Module	Under left side of dash. See Fig. 4 .
Radio Antenna Amplifier	Below rear window panel trim.
Radio Speaker Amplifier	In rear compartment, in tray attached to rear deck.
Remote Control Door Lock Receiver	In rear compartment, below left side of rear window trim panel.
Sound Processor Interface	In rear compartment, below left side of rear window trim panel.
Theft Deterrent Module	Mounted to ignition lock cylinder, upper right side of steering column.
Transmission Control Module (TCM)	Behind right side of the dash.

MOTORS**MOTORS**

Component	Component Location
Auxiliary Engine Coolant Fan No. 1	On front left side of radiator.
Auxiliary Engine Coolant Fan No. 2	On front right side of radiator.
Blower Motor	Behind right side of dash, part of HVAC module.
ECM Cooling Blower	On left front of engine compartment, in ECM housing.
Electric Cooling Fan	On front center of engine compartment, behind

1998 Cadillac Catera

1998 GENERAL MOTORS Catera

Component	Component Location
Auxiliary Engine Coolant Fan No. 1	On front left side of radiator, inside fuel tank.
Auxiliary Engine Coolant Fan No. 2	On front right side of engine compartment.
Rear Suspension Leveling Air Compressor	Behind right side of dash, part of HVAC module.
Secondary Air Injection Pump	On left front rail, under wheelhouse.
ECM Cooling Blower	On left front of engine compartment, in ECM housing.
Water Auxiliary Pump	On left front of engine compartment.
Windshield Washer Pump	In washer solvent reservoir.
Windshield Wiper Motor	Center rear of engine compartment.

SENDING UNITS & SENSORS

SENDING UNITS & SENSORS

Component	Component Location
Automatic Level Control Sensor	Attached to right side of rear differential.
Brake Fluid Minimum Capacity Sensor	Part of brake master cylinder reservoir cap.
Camshaft Position (CMP) Sensor	On front of engine block. See Fig. 1 .
Cooling Fluid Minimum Capacity Sensor	Inside engine coolant overflow reservoir.
Crankshaft Position (CKP) Sensor	On left rear of engine block.
Duct Air Temperature Sensor (2)	Behind right side of dash, part of HVAC module.
Engine Coolant Temperature (ECT) Sensor	Mounted in coolant bridge. See Fig. 1 .
Engine Oil Level Sensor	In lower right front of engine block.
Front Disc Brake Pad Wear Sensors (2)	Attached to respective front brake caliper.
Front Wheel Speed Sensors (2)	Attached to respective front steering knuckle.
Fuel Tank Pressure Sensor	Under rear of vehicle, inside of fuel tank.
Headlamp Automatic Control Ambient Light Sensor	Mounted on top of dash.
Heated Oxygen Sensor (HO2S) (Bank 1, Position 1)	In right front pipe of exhaust catalytic converter.
Heated Oxygen Sensor (HO2S) (Bank 1, Position 2)	In right rear pipe of exhaust catalytic converter.
Heated Oxygen Sensor (HO2S) (Bank 2, Position 1)	In left front pipe of exhaust catalytic converter.
Heated Oxygen Sensor (HO2S) (Bank 2, Position 2)	In left rear pipe of exhaust catalytic converter.
Inflatable Restraint Side Impact Sensors (2)	In lower corner of respective front side door.
Intake Air Temperature (IAT) Sensor	In air intake passage, between air cleaner and resonance chamber. See Fig. 1 .
Knock Sensor (KS) (Bank 1)	On right side of engine. See Fig. 2 .
Knock Sensor (KS) (Bank 2)	On left side of engine. See Fig. 2 .
Mass Air Flow (MAF) Sensor	In air intake passage, between air cleaner and resonance chamber. See Fig. 2 .
Output Shaft Speed (OSS) Sensor	On left rear of transmission housing.
Rear Wheel Speed Sensors (2)	Mounted inboard on respective side of rear axle differential.
Throttle Position (TP) Sensor	On throttle body assembly. See Fig. 2 .

SOLENOIDS & SOLENOID VALVES

SOLENOIDS & SOLENOID VALVES

Component	Component Location
Brake Pressure Modulator Valve (BPMV)	On left front of engine compartment, attached to EBTCM.

1998 Cadillac Catera

1998 GENERAL MOTORS Catera

Defroster Valve Actuator	Behind right side of dash, part of HVAC module.
Evaporative (EVAP) Purge Solenoid Valve	On right rear of intake manifold plenum. See Fig. 1 .
Evaporative (EVAP) Tank Solenoid Valve	On right rear of engine compartment, attached to strut tower. See Fig. 1 .
Fuel Tank Filler Door Lock Actuator	Inside rear compartment, near fuel door filler.
Idle Air Control (IAC) Valve	Attached to left side of intake manifold plenum. See Fig. 1 .
Inside Air Valve Actuator	Behind right side of dash, mounted to HVAC module.
Intake Plenum Switch-Over Solenoid Valve	On left rear of engine. See Fig. 2 .
Intake Plenum Switch-Over Valve	On left rear of engine. See Fig. 2 .
Intake Resonance Switch-Over Solenoid Valve	Attached to rear of resonance chamber. See Fig. 2 .
Intake Resonance Switch-Over Valve	On front center of engine compartment. See Fig. 2 .
Mode Valve Actuator (Floor)	Behind right side of dash, mounted to HVAC module.
Power Steering Fluid Flow Control Valve Actuator	Attached to power steering pump.
Recirculation Vacuum Solenoid Valve	Behind left side of dash, mounted on HVAC module.
Secondary Air Injection Pump Solenoid Valve	On front of engine compartment, to right of battery. See Fig. 3 .
Temperature Valve Actuators (2)	Behind respective sides of dash, mounted to HVAC module.
Water Cut-Off Vacuum Solenoid Valve	Behind left side of dash, mounted to HVAC module.

SWITCHES

SWITCHES

Component	Component Location
A/C Compressor Refrigerant Pressure Switch	On left front of engine compartment, mounted in A/C compressor/condenser hose. See Fig. 3 .
A/C Control Switch	On left front of engine compartment, to right of battery. See Fig. 3 .
Automatic Transmission Range Switch	On left side of transmission housing.
Automatic Transmission Winter Mode Switch	In center console.
Cruise Control Release Switch	Attached to brake pedal.
Cruise Control Switch	On left side of steering column.
Engine Oil Pressure Gauge Switch	Lower right front of engine.
Ignition Switch	Mounted to upper right side of steering column.
Park Brake Indicator Switch	Attached to park brake lever, in center console.
Primary Coolant Fan Temperature Switch	In upper left side of radiator.
Seat Belt Switch	Part of driver's seat belt buckle.
Secondary Coolant Fan Temperature Switch	In lower left side of radiator.
Starter Switch	On lower right side of engine, attached to starter motor.
Stop Lamp Switch	Attached to brake pedal.
Transmission Control Selector Switch	Attached to transmission control lever.
Turn Signal Switch	Attached to right side of steering column.
Wide Open Throttle (WOT) Switch	Attached to throttle cable.
Windshield Washer Solvent Level Switch	Inside windshield washer solvent reservoir.

1998 Cadillac Catera

1998 GENERAL MOTORS Catera

MISCELLANEOUS

MISCELLANEOUS

Component	Component Location
A/C Compressor Clutch Coil	Attached to left front of engine block (Part of A/C compressor).
A/C Compressor Diode	At A/C compressor clutch coil connector.
Battery	On left front of engine compartment.
Compact Disc (CD) Changer	On right side of rear compartment.
Condenser	Near ignition coil.
Coolant Fan Test Connector	On left front of engine compartment, in ECM housing.
DLC (DLC)	Attached to dash carrier, lower left side of steering column.
Driver Seat Belt Side Buckle Pretensioner	On lower right side of driver seat.
ECM Housing	On left front of engine compartment. See Fig. 1 .
Engine Coolant Fan Resistor	On left side of engine compartment, mounted beneath battery. See Fig. 3 .
Fuel Injectors	On top of engine, along each side of intake manifold.
Generator	Attached to right lower front of engine.
Horns	Behind left front grille, near left fog lamp.
Ignition Coil	Mounted to left rear of engine block. See Fig. 2 .
Inflatable Restraint Steering Wheel Module Coil	Mounted on steering column.
Lifting Magnet	Attached to steering column, next to ignition switch.
Passenger Seat Belt Side Buckle Pretensioner	On lower left side of passenger seat.

CONNECTORS

CONNECTORS

Component	Component Location
C100 (Black)	In left front of engine compartment.
C101	In left front of engine compartment.
C102 (Brown, 6 Pin)	In left front of engine compartment.
C105 (White, 20 Pin)	In left front of engine compartment.
C106 (Blue, 20 Pin)	In left front of engine compartment.
C108 (Black, 2 Pin)	In right rear of engine compartment.
C110 (Black, 9 Pin)	In ECM housing.
C111 (Gray, 6 Pin)	In left front of engine compartment.
C112 (Black)	On top left of engine block.
C200A (Black, 62 Pin)	At lower left "A" pillar.
C200B (Black, 45 Pin)	At lower left "A" pillar.
C207 (Blue, 9 Pin)	Under center console.
C208	Under center console.
C209	Under center console.
C210 (Black, 42 Pin)	At lower right "A" pillar.
C301 (White, 9 Pin)	At base of right "B" pillar.
C302 (White, 9 Pin)	At base of left "B" pillar.
C303 (Black, 15 Pin)	On lower left "B" pillar.

1998 Cadillac Catera

1998 GENERAL MOTORS Catera

C304 (Black, 15 Pin)	On lower right "B" pillar.
C305 (Black, 2 Pin)	Underneath sun roof actuator.
C310 (Gray, 20 Pin)	Underneath driver's seat.
C315 (Black, 8 Pin)	Underneath driver's seat.
C315A	Underneath driver's seat.
C315B (Black, 8 Pin)	Underneath driver's seat.
C315C (Black, 8 Pin)	Underneath driver's seat.
C315D (Black, 8 Pin)	Underneath driver's seat.
C316 (Black, 8 Pin)	Underneath passenger's seat.
C316A	Underneath passenger's seat.
C316C (Black, 8 Pin)	Underneath passenger's seat.
C316D (Black, 8 Pin)	Underneath passenger's seat.
C320 (Black, 9 Pin)	Underneath left rear seat.
C400 (Black, 8 Pin)	Near front of fuel tank.
C401 (Gray, 6 Pin)	In rear compartment.
C405 (White, 9 Pin)	Next to left back-up lamp.
C500	At lower left "A" pillar.
C600 (Black, 40 Pin)	At lower right "A" pillar.

GROUNDS**GROUNDS**

Component	Component Location
G100	Below power steering pump.
G101	On negative battery cable.
G102	On negative battery cable.
G103	At left front of engine compartment.
G200	On lower left "A" pillar.
G201	On steering column support.
G400	Near left stop/taillamp.

SPLICES**SPLICES**

Component	Component Location
S100	Forward lamp wiring harness, 26 cm from C100.
S101	Forward lamp wiring harness, 26 cm from C100.
S102	Forward lamp wiring harness, 26 cm from C100.
S103	Body wiring harness, 27 cm from P107.
S104	Body wiring harness, 83 cm from P103.
S105	Body wiring harness, 83 cm from P103.
S106	Body wiring harness, 83 cm from P103.
S107	Body wiring harness, at EBCTM connector breakout.
S108	A/C control wiring harness, 12 cm from C111 breakout.
S109	A/C control wiring harness, 12 cm from C111 breakout.
S110	A/C control wiring harness, 12 cm from C111

1998 Cadillac Catera

1998 GENERAL MOTORS Catera

	breakout.
S111	A/C control wiring harness, 12 cm from C111 breakout.
S112	A/C control wiring harness, inside ECM housing.
S113	A/C control wiring harness, inside ECM housing.
S114	A/C control wiring harness, inside ECM housing.
S115	A/C control wiring harness, inside ECM housing.
S116	A/C control wiring harness, inside ECM housing.
S117	A/C control wiring harness, inside ECM housing.
S118	A/C control wiring harness, inside ECM housing.
S119	ECM wiring harness, inside ECM housing.
S120	ECM wiring harness, inside ECM housing.
S121	ECM wiring harness, inside ECM housing.
S122	ECM wiring harness, inside ECM housing.
S123	ECM wiring harness, inside ECM housing.
S124	ECM wiring harness, inside ECM housing.
S125	A/C control wiring harness, 12 cm from C111 breakout.
S126	ECM wiring harness, inside ECM housing.
S127	ECM wiring harness, inside ECM housing.
S128	ECM wiring harness, inside ECM housing.
S129	ECM wiring harness, inside ECM housing.
S130	ECM wiring harness, inside ECM housing.
S131	ECM wiring harness, inside ECM housing.
S132	ECM wiring harness, 10 cm from ignition coil connector breakout.
S133	Body wiring harness, 120 cm from C200 breakout.
S134	Body wiring harness, 120 cm from C200 breakout.
S135	Body wiring harness, 120 cm from C200 breakout.
S136	Body wiring harness, 5 cm from C200 branch breakout.
S140	I/P wiring harness, near brake fluid minimum capacity sensor connector breakout.
S145	Windshield washer nozzle heater wiring harness, 68 cm from C108.
S146	Windshield washer nozzle heater wiring harness, 68 cm from C108.
S150	Fuel injector wiring harness, near C112 breakout.
S160	A/C control wiring harness, in ECM housing.
S200	I/P wiring harness, near DLC breakout.
S201	I/P wiring harness, on headlamp switch connector breakout.
S203	Body wiring harness, 3 cm from BCM breakout.
S204	I/P wiring harness, near multifunction relay K134 breakout.
S205	I/P wiring harness, 17 cm from P106.
S206	I/P wiring harness, near multifunction relay K134 breakout.

1998 Cadillac Catera

1998 GENERAL MOTORS Catera

S207	I/P wiring harness, on headlamp switch connector breakout.
S210	I/P wiring harness, near multifunction relay K134 breakout.
S211	I/P wiring harness, near DLC breakout.
S212	I/P wiring harness, near multifunction relay K134 breakout.
S213	I/P wiring harness, near DLC breakout.
S214	I/P wiring harness, near DLC breakout.
S215	I/P wiring harness, near DLC breakout.
S217	I/P wiring harness, near multifunction relay K134 breakout.
S218	I/P wiring harness, near DLC breakout.
S220	I/P wiring harness, near DLC breakout.
S222	I/P wiring harness, near G201 breakout.
S223	I/P wiring harness, near G201 breakout.
S224	I/P wiring harness, near G201 breakout.
S225	I/P wiring harness, near G201 breakout.
S226	I/P wiring harness, near G201 breakout.
S227	I/P wiring harness, near G201 breakout.
S228	I/P wiring harness, near G201 breakout.
S229	I/P wiring harness, near instrument cluster breakout.
S230	I/P wiring harness, near instrument cluster breakout.
S231	I/P wiring harness, near instrument cluster breakout.
S232	I/P wiring harness, near heater & A/C control connector breakout.
S235	A/C control & module wiring harness, on rear of HVAC module.
S236	A/C control & module wiring harness, on rear of HVAC module.
S241	I/P wiring harness, near DLC branch breakout.
S242	Rear amplifier wiring harness, near C210 connector breakout.
S245	I/P wiring harness, near multifunction relay K134 breakout.
S246	I/P wiring harness, near multifunction relay K134 breakout.
S248	I/P wiring harness, near instrument cluster connector breakout.
S250	I/P wiring harness, near instrument cluster connector breakout.
S251	I/P wiring harness, near G201 breakout.
S252	I/P wiring harness, near G201 breakout.
S260	Body wiring harness, near G200 breakout.
S261	Body wiring harness, near G200 breakout.
S262	I/P wiring harness, near DLC breakout.
S263	I/P wiring harness, near multifunction relay K134 breakout.

1998 Cadillac Catera

1998 GENERAL MOTORS Catera

Component	Component Location	Component Location
S266	Forward lamp wiring harness, 26 cm from	G200 breakout.
S266	Body wiring harness, near	G200 breakout.
S267	Forward lamp wiring harness, 26 cm from	G200 breakout.
S268	Body wiring harness, near	G200 breakout.
S270	Forward lamp wiring harness, 26 cm from	C200 breakout.
S271	Body wiring harness, 62 cm from	C200 breakout.
S272	Body wiring harness, 27 cm from P107	C200 breakout.
S293	Body wiring harness, 83 cm from P103	C200 breakout.
S301	Body wiring harness, 83 cm from P103	C200 breakout.
S301	Sunshade illuminated mirror wiring harness, 4 cm	C305 breakout.
S302	Body wiring harness, at EBCM connector	C305 breakout.
S302	Sunshade illuminated mirror wiring harness, 4 cm	C305 breakout.
S304	A/C control wiring harness, 12 cm from	RCDLR breakout.
S305	Body wiring harness, 23 cm from R	C111 breakout.
S109	A/C control wiring harness, 12 cm from	console wiring branch, 5 cm from breakout.
S306	Body wiring harness, console wiring	branch, 5 cm from breakout.
S110	A/C control wiring harness, 12 cm from	branch, 5 cm from breakout.
S307	Body wiring harness, base of	right "A" pillar.
S111	A/C control wiring harness, 12 cm from	right "A" pillar.
S308	Body wiring harness, base of	right "A" pillar.
S309	Body wiring harness, base of	right "A" pillar.
S112	A/C control wiring harness, inside ECM	right "A" pillar.
S310	Rear seat heater wiring harness, 8 cm from	C320 breakout.
S311	Body wiring harness, 8 cm from	RCDLR breakout.
S312	Body wiring harness, base of left "A" pillar.	
S313	Body wiring harness, base of left "A" pillar.	
S314	Body wiring harness, base of left "A" pillar.	
S316	Body wiring harness, 5 cm from	C200 breakout.
S317	Body wiring harness, base of left "A" pillar.	
S318	Body wiring harness, 5 cm from	C200 breakout.
S319	Body wiring harness, base of left "A" pillar.	
S320	Body wiring harness, base of left "A" pillar.	
S321	Body wiring harness, base of left "A" pillar.	
S322	Body wiring harness, base of left "A" pillar.	
S323	Body wiring harness, base of left "A" pillar.	
S325	Body wiring harness, 10 cm from	C303 breakout.
S326	Body wiring harness, base of left "A" pillar.	
S327	Body wiring harness, base of left "A" pillar.	
S330	Rear seat heater wiring harness, 8 cm from	C320 breakout.
S335	Rear seat heater wiring harness, 8 cm from	C320 breakout.
S340	Rear seat heater wiring harness, 8 cm from	C320 breakout.
S345	Rear seat heater wiring harness, 8 cm from	C320 breakout.
S400	Body wiring harness, 23 cm from	RCDLR breakout.
S401	Rear license lamp wiring harness, near	C401

1998 Cadillac Catera

1998 GENERAL MOTORS Catera

		housing.	breakout.
S403	A/C control	Right rear side door wiring harness, near C401 housing.	breakout.
S404	A/C control	Right rear side door wiring harness, 6 cm from housing.	C405 breakout.
S416	Body wiring	Body wiring harness, 23 cm from ECM housing.	CDLR breakout.
S411	Body wiring	Body wiring harness, 15 cm from ECM housing.	CDLR breakout.
S506	A/C control	Left front side door wiring harness, 31 cm from outside rear view mirror connector housing.	breakout.
S507	A/C control	Left front side door wiring harness, 31 cm from outside rear view mirror connector housing.	breakout.
S508	A/C control	Left front side door wiring harness, 26 cm from ECM housing.	breakout.
S509	ECM wiring	Left front side door wiring harness, 31 cm from ECM housing.	breakout.
S120	ECM wiring	ECM wiring harness, inside ECM housing.	breakout.
S504	ECM wiring	Left front side door wiring harness, 26 cm from ECM housing.	breakout.
S122	ECM wiring	ECM wiring harness, inside ECM housing.	breakout.
S505	ECM wiring	Left front side door wiring harness, 31 cm from outside rear view mirror connector housing.	breakout.
S124	ECM wiring	ECM wiring harness, inside ECM housing.	breakout.
S506	A/C control	Left front side door wiring harness, 40 cm from ECM housing.	breakout.
S690	ECM wiring	Right front side door wiring harness, 26 cm from ECM housing.	breakout.
S127	ECM wiring	ECM wiring harness, inside ECM housing.	breakout.
S601	ECM wiring	Right front side door wiring harness, 26 cm from ECM housing.	breakout.
S128	ECM wiring	ECM wiring harness, inside ECM housing.	breakout.
S129	ECM wiring	ECM wiring harness, inside ECM housing.	breakout.
S602	ECM wiring	Right front side door wiring harness, 26 cm from ECM housing.	breakout.
S130	ECM wiring	ECM wiring harness, inside ECM housing.	breakout.
S131	ECM wiring	ECM wiring harness, inside ECM housing.	breakout.
S603	ECM wiring	Right front side door wiring harness, 26 cm from ECM housing.	breakout.
S132	ECM wiring	ECM wiring harness, 10 cm from ignition coil connector breakout.	breakout.
S700	Body wiring	Left rear side door wiring harness, 28 cm from P700.	breakout.
S133	Body wiring	Body wiring harness, 120 cm from C200.	breakout.
S800	Body wiring	Right rear side door wiring harness, 28 cm from P800.	breakout.

COMPONENT LOCATION GRAPHICS

NOTE: Figures may show multiple component locations. Refer to appropriate table for proper figure references.

1998 Cadillac Catera

1998 GENERAL MOTORS Catera

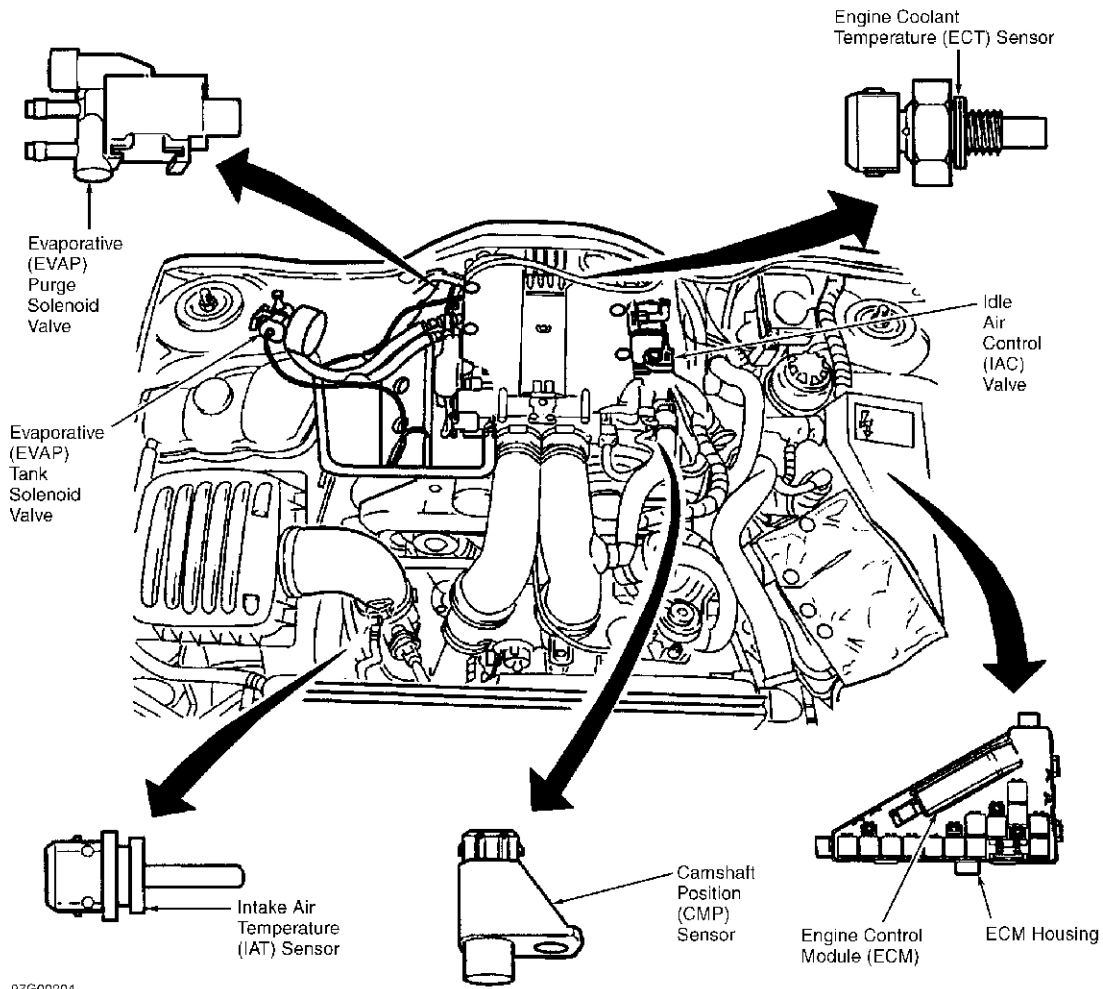
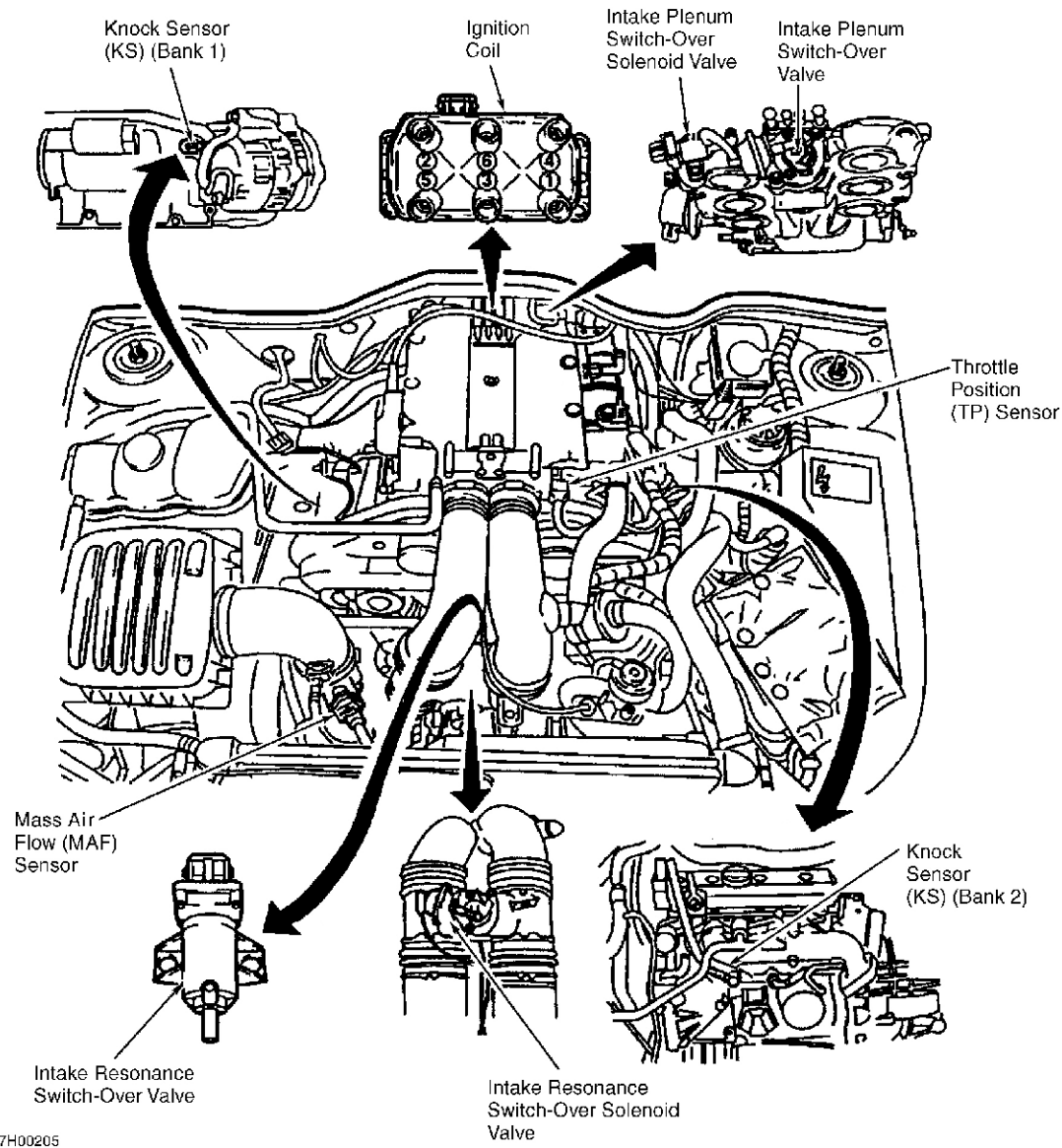


Fig. 1: Top Of Engine

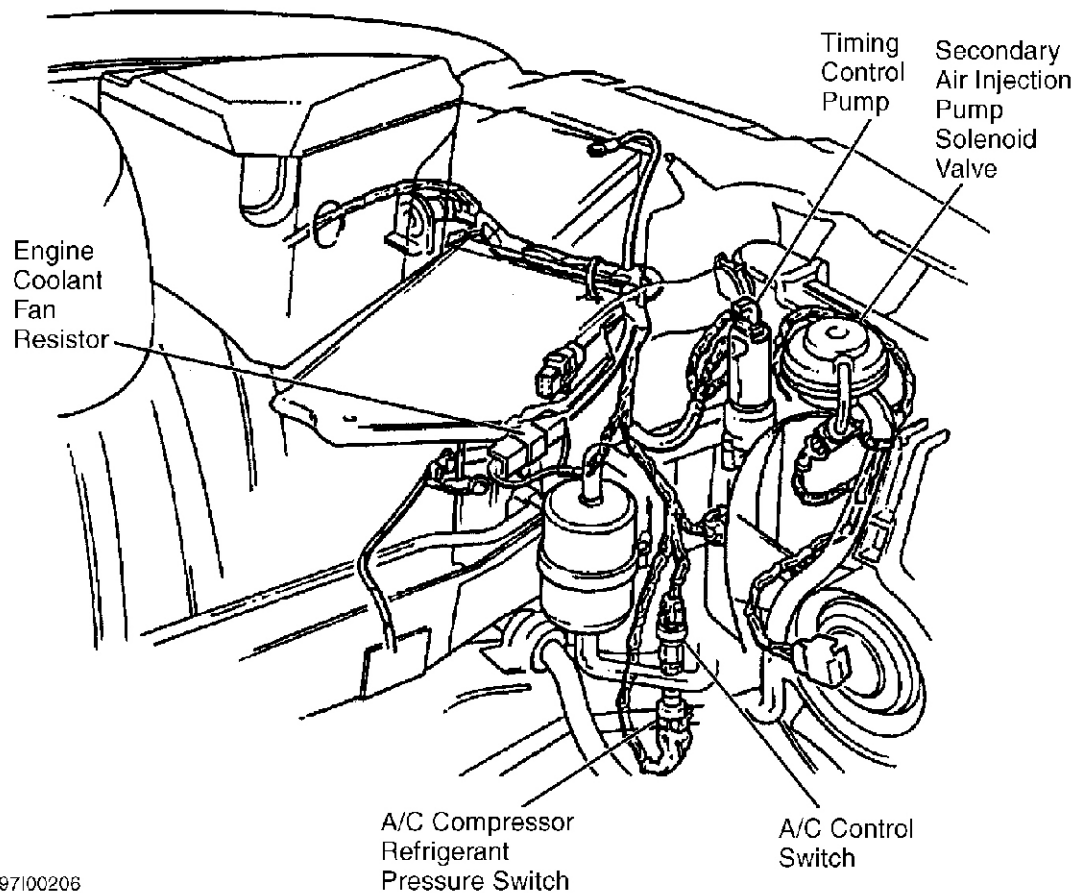
1998 Cadillac Catera

1998 GENERAL MOTORS Catera



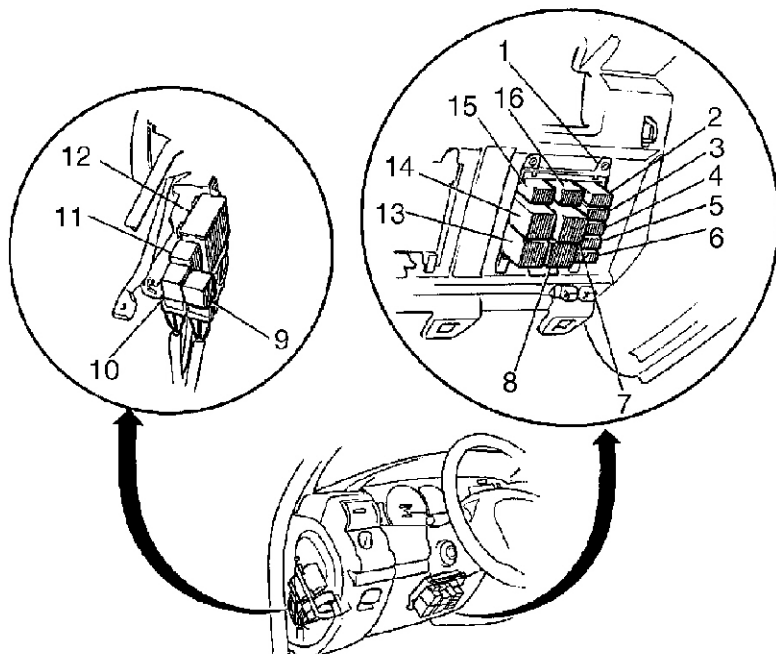
97H00205

Fig. 2: Top Of Engine



97J00206

Fig. 3: Engine Compartment



- | | |
|------------------------------------|--|
| 1. Relay Box | 10. Driver Seat Heater Relay |
| 2. Park Lamp Relay | 11. Power Steering Control Module |
| 3. Low Beam Relay | 12. Multi-Function Relay Module |
| 4. Not Used | 13. Right Headlamp Relay (High Beam) |
| 5. Not Used | 14. Heated Outside Rear View Mirror & Rear Window Defogger Relay |
| 6. Left Headlamp Relay (High Beam) | 15. Daytime Running Lamp (DRL) Relay |
| 7. Turn Signal Flasher | 16. Rear Suspension Leveling Air Compressor Relay |
| 8. Horn Relay | |
| 9. Passenger Seat Heater Relay | |

97J00207

Fig. 4: Fuse Block

1998 Cadillac Catera

1998 GENERAL MOTORS Catera

1998 Cadillac Catera

1998 GENERAL MOTORS Catera

1998 Cadillac Catera

1998 GENERAL MOTORS Catera

1998 Cadillac Catera

1998 GENERAL MOTORS Catera

1998 Cadillac Catera

1998 GENERAL MOTORS Catera

1998 Cadillac Catera

1998 GENERAL MOTORS Catera