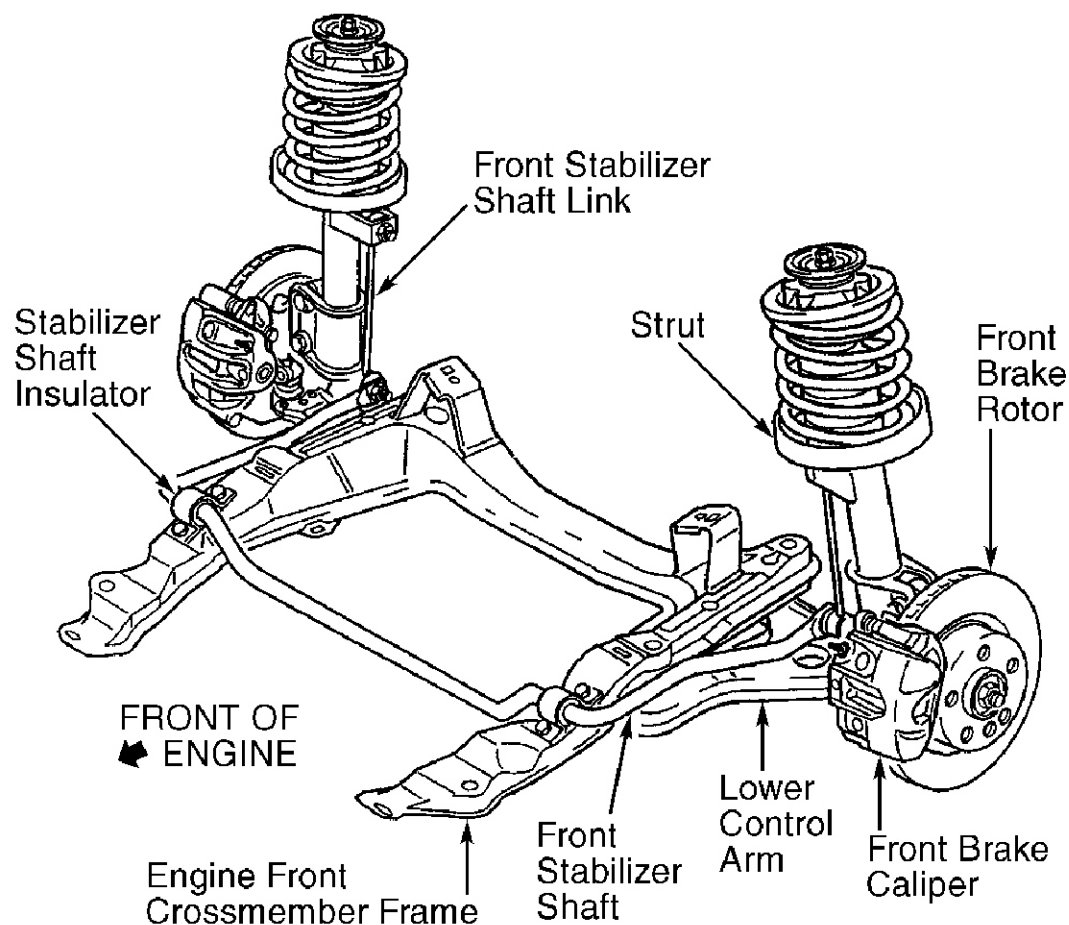


**1998-99 SUSPENSION****Front - "U" Body****DESCRIPTION**

Suspension consists of coil springs mounted on lower control arms, shock absorbers, stabilizer shaft and rear axle cradle. See **Fig. 1** . Suspension is fully independent. Differential is supported by a rear axle cradle. Suspension component mounting surfaces are isolated from vehicle body and adjoining components with rubber bushings. Tie rod ends and wheel bearings are sealed and do not require lubrication.



G97J03970

**Fig. 1: Identifying Front Suspension Assembly Components**  
 Courtesy of GENERAL MOTORS CORP.

**ADJUSTMENTS & INSPECTION****WHEEL ALIGNMENT**

**NOTE:** See appropriate SPECIFICATIONS & PROCEDURES article in WHEEL ALIGNMENT.

**RIDE HEIGHT**

**NOTE:** For ride height specifications, see appropriate SPECIFICATIONS & PROCEDURES article in WHEEL ALIGNMENT.

**REMOVAL & INSTALLATION**

## 1998 Cadillac Catera

1998-99 SUSPENSION Front - "U" Body

### STRUT ASSEMBLY

#### Removal

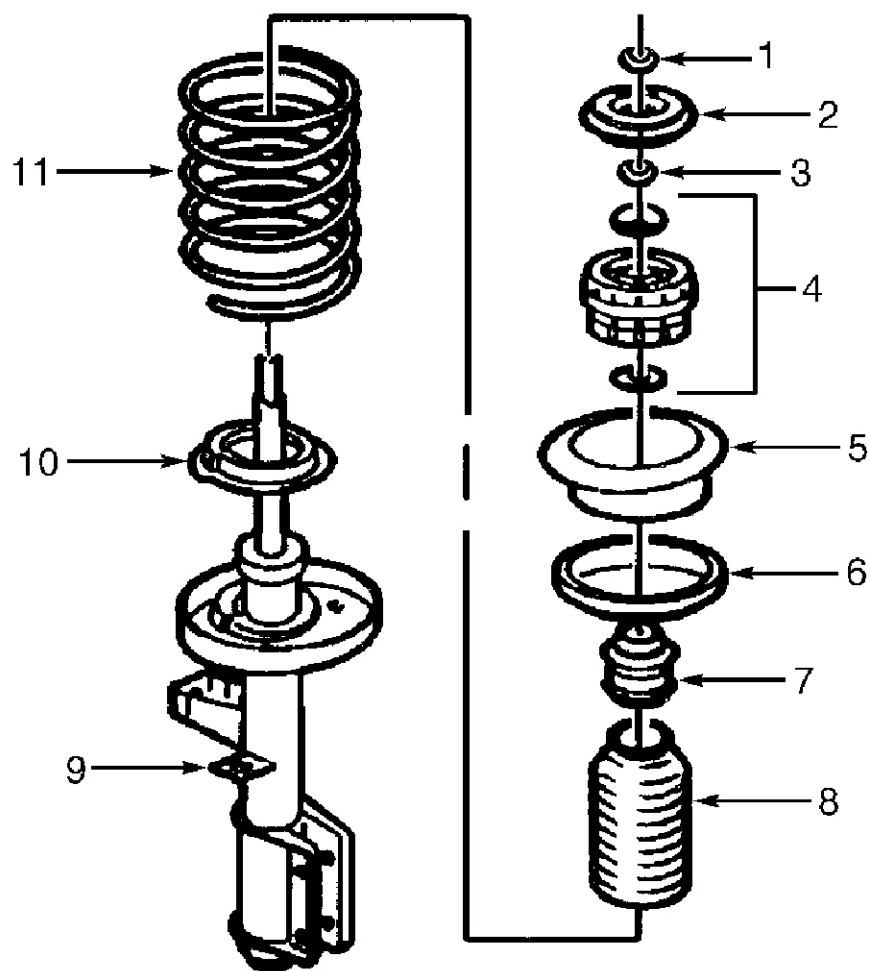
1. Raise and support vehicle. Remove wheel assembly. Remove wheel speed sensor and brake wear indicator wires from strut assembly. Remove brake flex hose clip from strut assembly and remove brake hose. Remove brake caliper assembly from steering knuckle, and support aside.
2. Remove stabilizer shaft link nut. Remove stabilizer shaft link from strut. Remove lower strut mounting bolts from steering knuckle. Lower vehicle. Remove upper support plate protective cap and nut. Remove upper support plate. Remove strut assembly from wheel well.

#### Disassembly & Assembly

1. Place strut assembly in Strut Spring Compressor Adapter (J-34013-A) with Lower Strut Spring Compressor Adapter (J-34013-88). While counter holding strut piston, remove upper bearing support nut. See **Fig. 2**.
2. Compress spring. Remove bearing and plate assembly. Decompress spring. Remove upper spring support plate, upper insulator, strut bumper, and strut cover from strut. Remove spring from strut. Remove lower insulator from strut. To assemble, reverse disassembly procedure.

#### Installation

To install, reverse removal procedure. Before tightening upper nuts, fully lower vehicle to ground (load suspension). Tighten fasteners to specification. See **TORQUE SPECIFICATIONS**.



- |                                     |                     |
|-------------------------------------|---------------------|
| 1. Upper Support Plate Nut          | 7. Strut Bumper     |
| 2. Upper Support Plate              | 8. Strut Cover      |
| 3. Upper Bearing Support Nut        | 9. Strut            |
| 4. Bearing & Bearing Plate Assembly | 10. Lower Insulator |
| 5. Upper Spring Support Plate       | 11. Spring          |
| 6. Upper Insulator                  |                     |

G97B03971

**Fig. 2: Identifying Strut Assembly Components**  
 Courtesy of GENERAL MOTORS CORP.

**WHEEL HUB & BEARING ASSEMBLY**

**Removal**

1. Raise and support vehicle. Remove front wheel. Remove brake pad wear indicator wire from strut bracket. Remove clip and separate brake hose from strut bracket. Remove brake caliper assembly, and support aside. Remove rotor set screw, and remove rotor.
2. Remove dust cap from wheel hub. Remove wheel hub nut. Remove wheel hub and bearing assembly.

**Installation**

To install, reverse removal procedure. Tighten nut to specification. See **TORQUE SPECIFICATIONS**.

**TORQUE SPECIFICATIONS**

**TORQUE SPECIFICATIONS**

Application	Ft. Lbs. (N.m)
-------------	----------------

**1998 Cadillac Catera**

1998-99 SUSPENSION Front - "U" Body

<b>Application</b>	<b>Ft. Lbs. (N.m)</b>
Strut Assembly-To-Steering Knuckle Bolt	(1) 70 (95)
Engine Front Crossmember Frame Bolt	
Forward	(1) 48 (65)
Rear	(1) 111 (150)
Engine Mount Nut	41 (55)
Lower Control Arm Ball Stud Pinch Bolt	74 (100)
Lower Control Arm Bolt	
Horizontal	103 (140)
Vertical	103 (140)
Lower Control Arm Replacement Ball Stud Bolt	26 (35)
Stabilizer Shaft Insulator Bolt	(1) 15 (20)
Stabilizer Shaft Link Nut	48 (65)
Steering Linkage Outer Tie Rod Nut	44 (60)
Strut Assembly Bearing Nut	(2) 52 (70)
Strut Assembly-To-Steering Knuckle Bolt	(2) 66 (90)
Strut Assembly Upper Support Nut	41 (55)
Wheel Hub Nut	236 (320)
Wheel Lug Nut	80 (109)
	<b>INCH Lbs. (N.m)</b>
Brake Disc Rotor Splash Shield Bolt	35 (4)
Rotor Set Screw	35 (4)
Wheel Speed Sensor Bolt	71 (8)

(1) Tighten an additional 37 degrees.

(2) Tighten an additional 52 degrees.

**1998 Cadillac Catera**

1998-99 SUSPENSION Front - "U" Body