

2001 Cadillac Catera

2000-01 ENGINE COOLING Cooling System Specifications & Drive Belt Routing - All Models

2000-01 ENGINE COOLING**Cooling System Specifications & Drive Belt Routing - All Models****MODEL IDENTIFICATION****MODEL IDENTIFICATION - CARS**

Body Code ⁽¹⁾	Model
"C"	Park Avenue
"E"	Eldorado
"F"	Camaro & Firebird
"G"	Aurora & Riviera
"H"	Bonneville, & LeSabre
"J"	Cavalier & Sunfire
"K"	DeVille & Seville
"M"	Metro
"N"	Alero, Grand Am & Malibu
"S"	Prizm
"V"	Catera
"W"	Century, Grand Prix, Impala, Intrigue, Lumina, Monte Carlo & Regal
"Y"	Corvette
"Z"	Saturn

(1) Vehicle body code is fourth character of VIN.

MODEL IDENTIFICATION - TRUCKS

Series ⁽¹⁾	Model
"A"	2WD Aztek
"B"	4WD Aztek
"C"	2WD Pickup, Sierra, Silverado, Suburban, Tahoe & Yukon
"E"	2WD Tracker
"G"	Cutaway, Express, G-Van & Savana
"J"	4WD Tracker
"K"	4WD Pickup, Sierra, Silverado, Suburban, Tahoe, Yukon & AWD Escalade
"L"	AWD Astro & Safari
"M"	2WD Astro & Safari
"S"	2WD Blazer, Envoy, Jimmy, Pickup & Sonoma
"T"	4WD Blazer, Bravada, Envoy, Jimmy, Pickup & Sonoma
"U"	Montana, Silhouette, Trans Sport & Venture

(1) Vehicle series is fifth character of VIN.

SPECIFICATIONS

CAUTION: When battery is disconnected, vehicle computer and memory systems may lose memory data. Driveability problems may exist until computer systems have completed a relearn cycle. See **COMPUTER RELEARN PROCEDURES** article in **GENERAL INFORMATION** before disconnecting battery.

2001 Cadillac Catera

2000-01 ENGINE COOLING Cooling System Specifications & Drive Belt Routing - All Models

BELT ADJUSTMENT

BELT ADJUSTMENT - CARS

Application	Specification
Serpentine Belt	(1) 30-50 Lbs. (13.6-22.7 kg.)
Deflection @ 22 Lbs. (10.0 kg.)	
Except Serpentine Belt	
Metro	
A/C Compressor & Power Steering Pump	.28-.35" (7.0-9.0 mm)
Generator	.24-.31" (6-8 mm)
(1) Serpentine belt is automatically adjusted by tensioner. Tension is checked with belt tension gauge. If tension is not as specified, check belt length and tensioner operating range. Replace belt or tensioner as necessary.	

BELT ADJUSTMENT - TRUCKS

Application	(1) Lbs. (kg)
All Models	(1)
(1) Serpentine belt tension is maintained automatically by a spring-tensioned idler pulley. No adjustment is necessary.	

COOLING SYSTEM SPECIFICATIONS

COOLING SYSTEM SPECIFICATIONS - CARS

Application	Specification
Coolant Replacement Interval	
Except Metro & Prizm	60 Months Or 150,000 Miles
Metro	30 Months Or 30,000 Miles
Prizm	24 Months Or 30,000 Miles
Coolant Capacity (1)	
1.0L	3.9 Qts. (4.1L)
1.3L	
M/T	4.9 Qts. (4.4L)
A/T	5.0 Qts. (4.7L)
1.8L	
Prizm	
A/T	6.0 Qts. (5.7L)
M/T	6.1 Qts. (5.8L)
1.9L	7.0 Qts. (6.6L)
2.2L	
"J" Body	9.6 Qts. (9.1L)
"Z" Body	7.4 Qts. (7.0L)
2.4L	
"J" Body	9.9 Qts. (9.4L)
"N" Body	11.3 Qts. (10.7L)
3.0L	
Except "Z" Body	10.0 Qts. (9.5L)

2001 Cadillac Catera

2000-01 ENGINE COOLING Cooling System Specifications & Drive Belt Routing - All Models

Application	Specification
Coolant Replacement Interval	7.8 Qts. (7.3L)
Except Metro & Prizm	60 Months Or 150,000 Miles
"W" Body	30 Months Or 30,000 Miles
Prizm	24 Months Or 30,000 Miles
Coolant Capacity (1)	10.0 Qts. (9.5L)
3.5L Except "F", "H" & "W" Bodies	3.9 Qts. (4.1L)
1.3L "F" Body	
M/T	4.9 Qts. (4.4L)
A/T	5.0 Qts. (4.7L)
1.8L "H" Body	10 Qts. (9.5L)
"W" Body Prizm	5.3 Qts. (5.0L)
4.0L A/T	6.0 Qts. (5.7L)
4.6L Except "E" & "K" Body	6.1 Qts. (5.8L)
"E" & "K" Bodies	7.0 Qts. (6.6L)
2.2L	
"F" Body	9.6 Qts. (9.1L)
"Z" A/T Body	7.4 Qts. (7.0L)
2.4L M/T	15.3 Qts. (14.5L)
"J" Body	9.9 Qts. (9.4L)
"N" A/T Body	11.3 Qts. (10.7L)
3.0L M/T	12.6 Qts. (11.9L)
Pressure Cap Except "Z" Body	10.0 Qts. (9.5L)
"F" Body	18 psi
Metro	13 psi
Prizm	13 psi
Saturn	15 psi
All Others	(2) 15 psi
Thermostat	
Metro	
Starts To Open	190-197°F (88-92°C)
Fully Opens	212-221°F (100-105°C)
Prizm	
Starts To Open	176-183°F (80-84°C)
Fully Opens	203°F (95°C)
Saturn	
Starts To Open	182-190°F (83-88°C)
Fully Open	212-222°F (100-106°C)
All Others	
Starts To Open	189°F (87°C)
Fully Opens	207°F (97°C)

(1) Specification is approximate and includes heater capacity.

(2) Or specification stamped on cap.

COOLING SYSTEM SPECIFICATIONS - TRUCKS

Application	Specification
-------------	---------------

2001 Cadillac Catera

2000-01 ENGINE COOLING Cooling System Specifications & Drive Belt Routing - All Models

Coolant Replacement Interval	
Except Tracker	60 Months Or 150,000 Miles
Tracker	30 Months Or 30,000 Miles
Pressure Cap	
Except Tracker	15 psi
Tracker	13 psi
Thermostat Opens	
Except Tracker	
Starts	188°F (87°C)
Fully Open	206°F (97°C)
Tracker	
Starts	179°F (82°C)
Fully Open	203°F (95°C)
Coolant Capacity ⁽¹⁾	
1.6L	6.9 Qts. (6.5L)
2.0L	5.8 Qts. (5.5L)
2.2L	
A/T	9.7 Qts. (9.2L)
M/T	9.9 Qts. (9.4L)
2.5L	8.5 Qts. (8.0L)
3.4L	
Standard	
With Rear Heater	11.9 Qts. (11.3L)
Without Rear Heater	9.6 Qts. (9.0L)
Heavy Duty	
With Rear Heater	13.2 Qts. (12.5L)
Without Rear Heater	10.5 Qts. (9.9L)
4.3L	
"C" & "K" Series	
A/T	12.7 Qts. (12.0L)
M/T	13.0 Qts. (12.3L)
"G" Series	
With Rear Heater	14.0 Qts. (13.2L)
Without Rear Heater	11.0 Qts. (10.5L)
"L" & "M" Series	
With Rear Heater	16.5 Qts. (15.5L)
Without Rear Heater	14.3 Qts. (12.8L)
"S" & "T" Series	
A/T	11.7 Qts. (11.1L)
M/T	11.9 Qts. (11.3L)
4.8L	
A/T	13.4 Qts. (12.7L)
M/T	13.7 Qts. (13.0L)
5.0L	
With A/C	20.0 Qts. (18.9L)

2001 Cadillac Catera

2000-01 ENGINE COOLING Cooling System Specifications & Drive Belt Routing - All Models

Application	Specification	
A/C		7.0 Qts. (16.0L)
5.0L		
Compressor Replacement Interval		
Exception Tracker	60 Months Or 150,000 Miles	4.9 Qts. (14.1L)
With Rear A/C		5.8 Qts. (15.0L)
Tracker	30 Months Or 30,000 Miles	3.4 Qts. (12.7L)
Without A/C		
Pressure Cap		
Exception Tracker	15 psi	
Standard		
Tracker	13 psi	20.0 Qts. (19.0L)
With A/C		
Thermostat Opens		17.5 Qts. (16.6L)
Without A/C		
Exception Tracker		
Heavy Duty		
With A/C	188°F (87°C)	7.0 Qts. (25.5L)
Fully Open A/C	206°F (97°C)	26.4 Qts. (25.0L)
Tracker		
Starts	179°F (82°C)	
Fully Open Cooler	203°F (95°C)	4.4 Qts. (13.6L)
Without Oil Cooler		
Coolant Capacity		14.8 Qts. (14.0L)
1.6L	6.9 Qts. (6.5L)	
2.0L With Oil Cooler	5.8 Qts. (5.5L)	4.8 Qts. (14.0L)
2.2L Without Oil Cooler		15.2 Qts. (14.4L)
6.5L	9.7 Qts. (9.2L)	7.5 Qts. (26.0L)
6.6L	9.9 Qts. (9.4L)	
2.5L	8.5 Qts. (8.0L)	20.3 Qts. (19.2L)
3.4L		20.7 Qts. (19.6L)
7.4L		
Standard		
Standard Rear Heater	11.9 Qts. (11.3L)	
Without A/C Rear Heater	9.6 Qts. (9.0L)	7.5 Qts. (26.0L)
Heavy Duty		25.0 Qts. (23.7L)
Without A/C		
Heavy Duty Rear Heater	13.2 Qts. (12.5L)	
With A/C Rear Heater	10.5 Qts. (9.9L)	8.5 Qts. (27.0L)
Without A/C		
4.3L Without A/C		26.4 Qts. (25.0L)
8.1L "C" & "K" Series		
A/T	12.7 Qts. (12.0L)	20.7 Qts. (19.6L)
M/T	13.0 Qts. (12.3L)	21.1 Qts. (20.0L)
(1) Specification is approximate and includes heater capacity.		

SERPENTINE BELT ROUTING & ALIGNMENT

NOTE: For serpentine belt routing, see underhood label or refer to appropriate illustrations. See Fig. 1 -Fig. 24 .

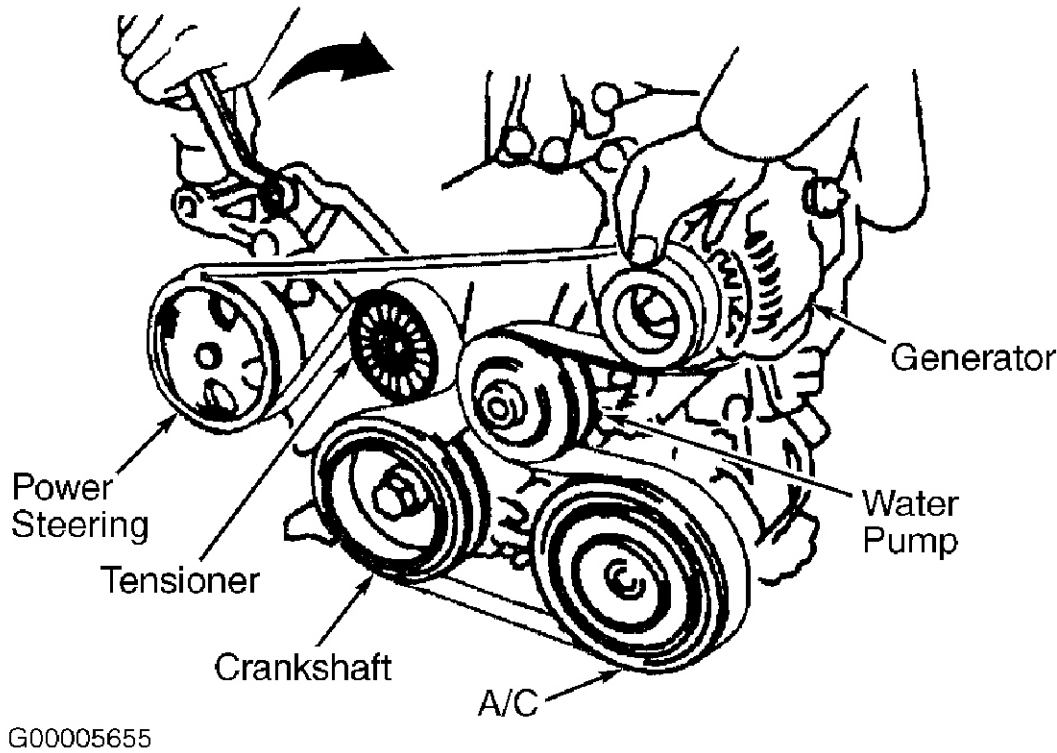


Fig. 1: Serpentine Belt Routing (1.8L Prizm)
Courtesy of GENERAL MOTORS CORP.

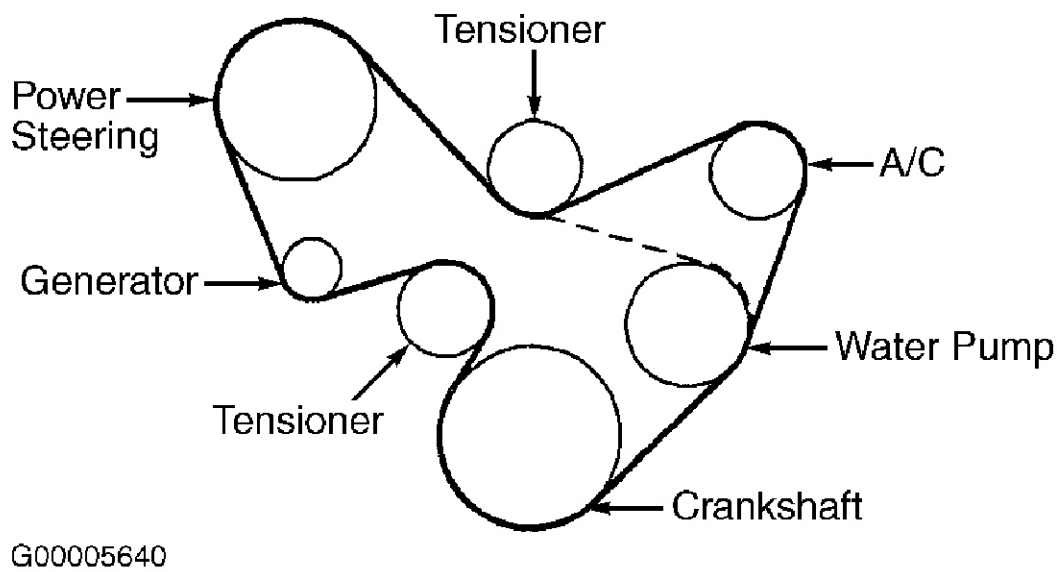
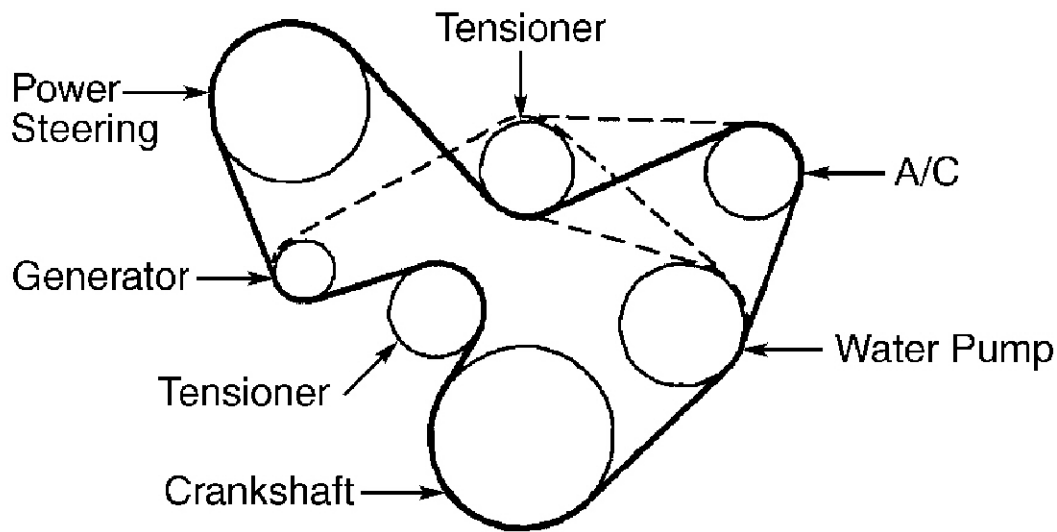
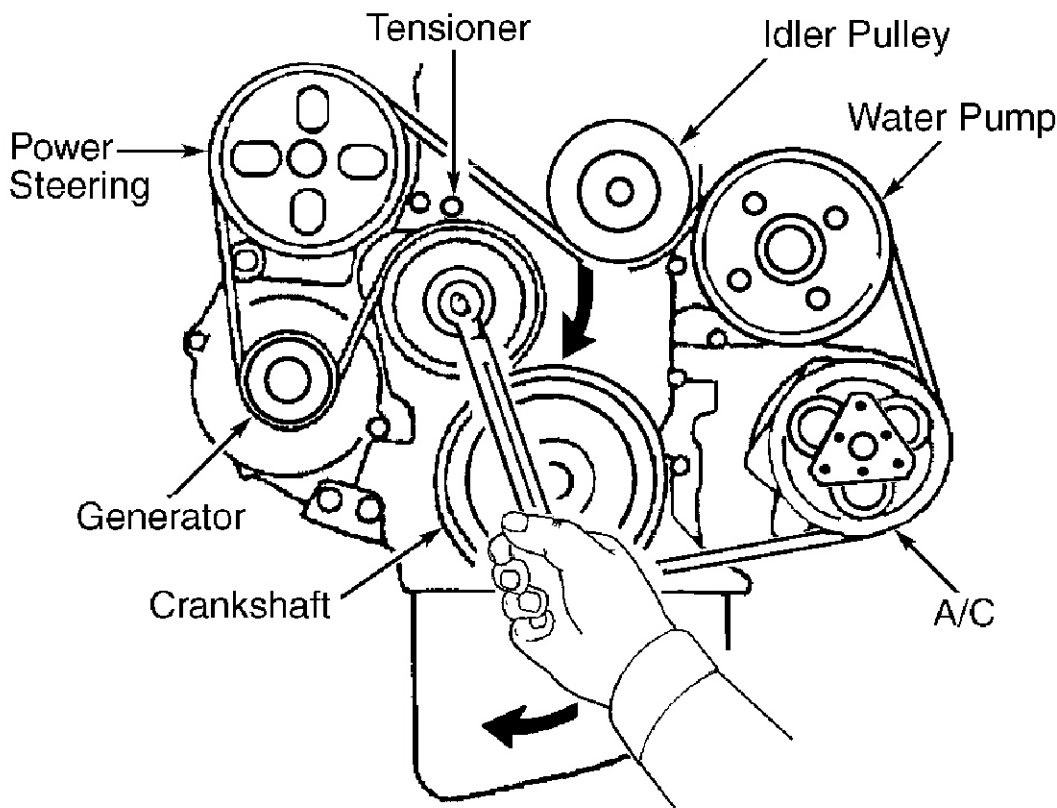


Fig. 2: Serpentine Belt Routing (1.9L Saturn DOHC)
Courtesy of GENERAL MOTORS CORP.



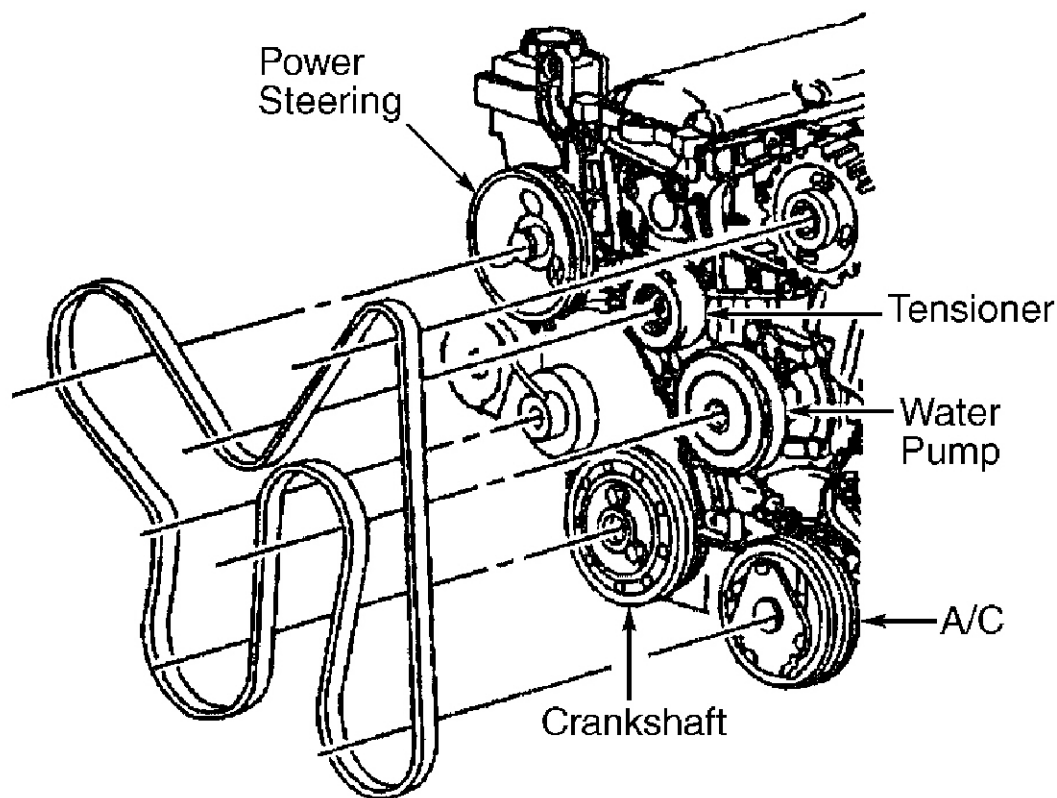
G00005639

Fig. 3: Serpentine Belt Routing (1.9L Saturn SOHC)
Courtesy of GENERAL MOTORS CORP.



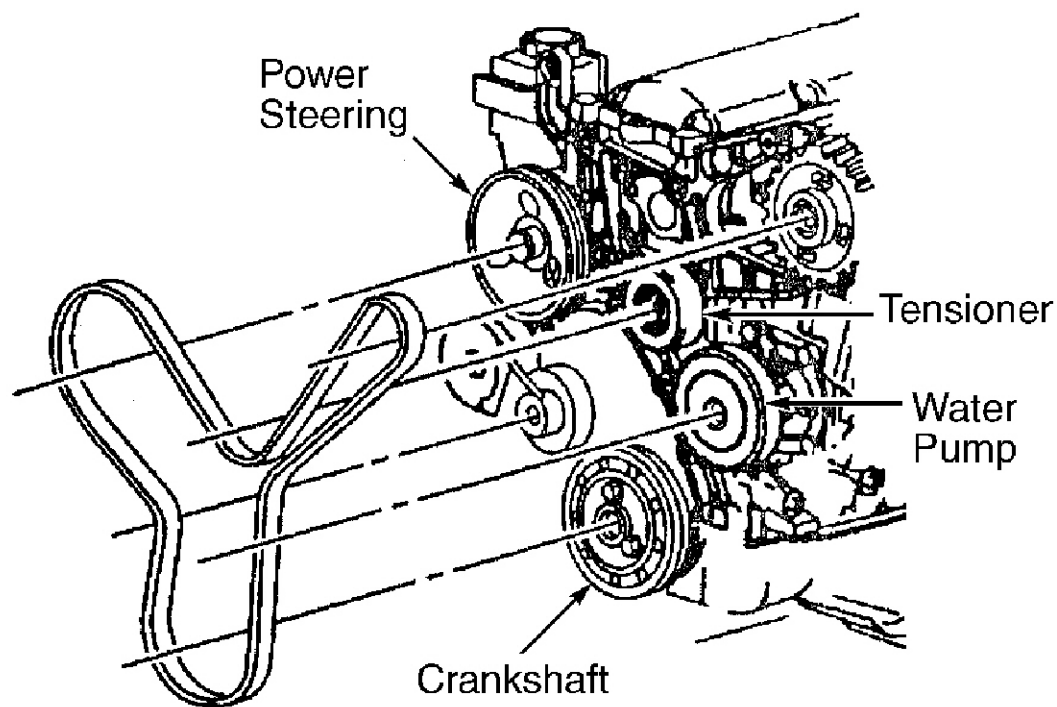
G00025010

Fig. 4: Serpentine Belt Routing (2.0L Tracker)
Courtesy of GENERAL MOTORS CORP.



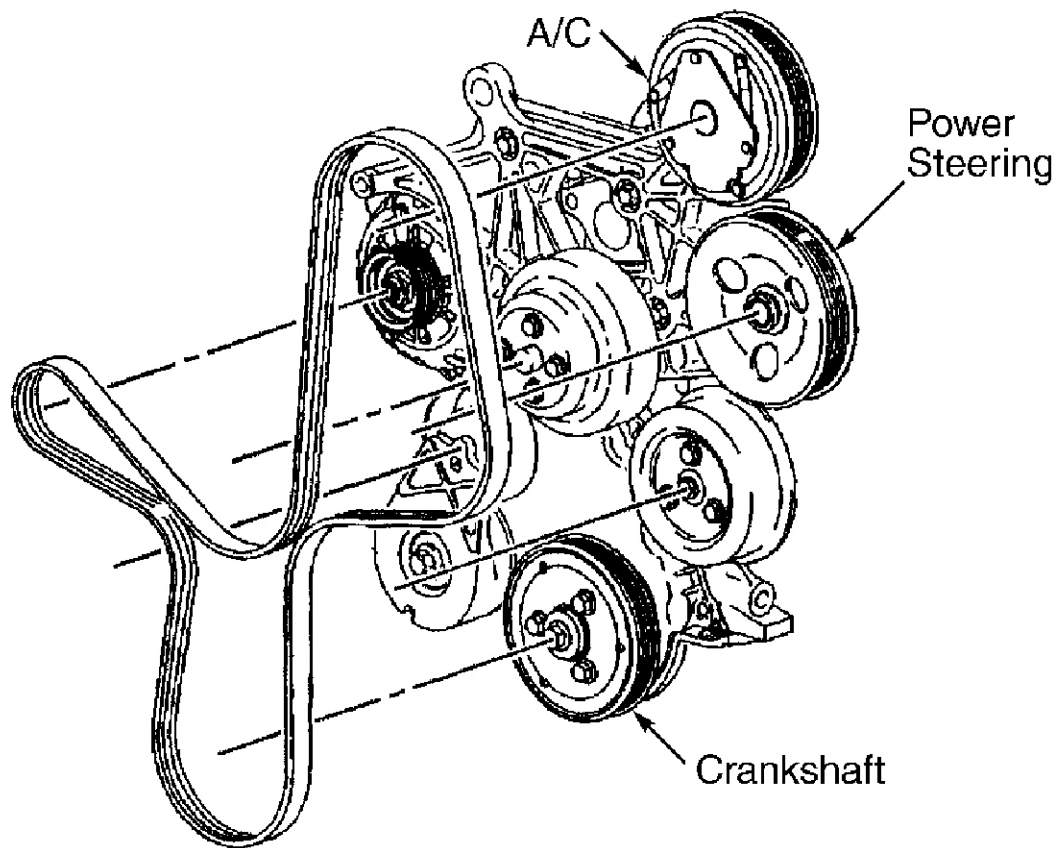
G00005656

Fig. 5: Serpentine Belt Routing (2.2L "J" Body - With A/C)
Courtesy of GENERAL MOTORS CORP.



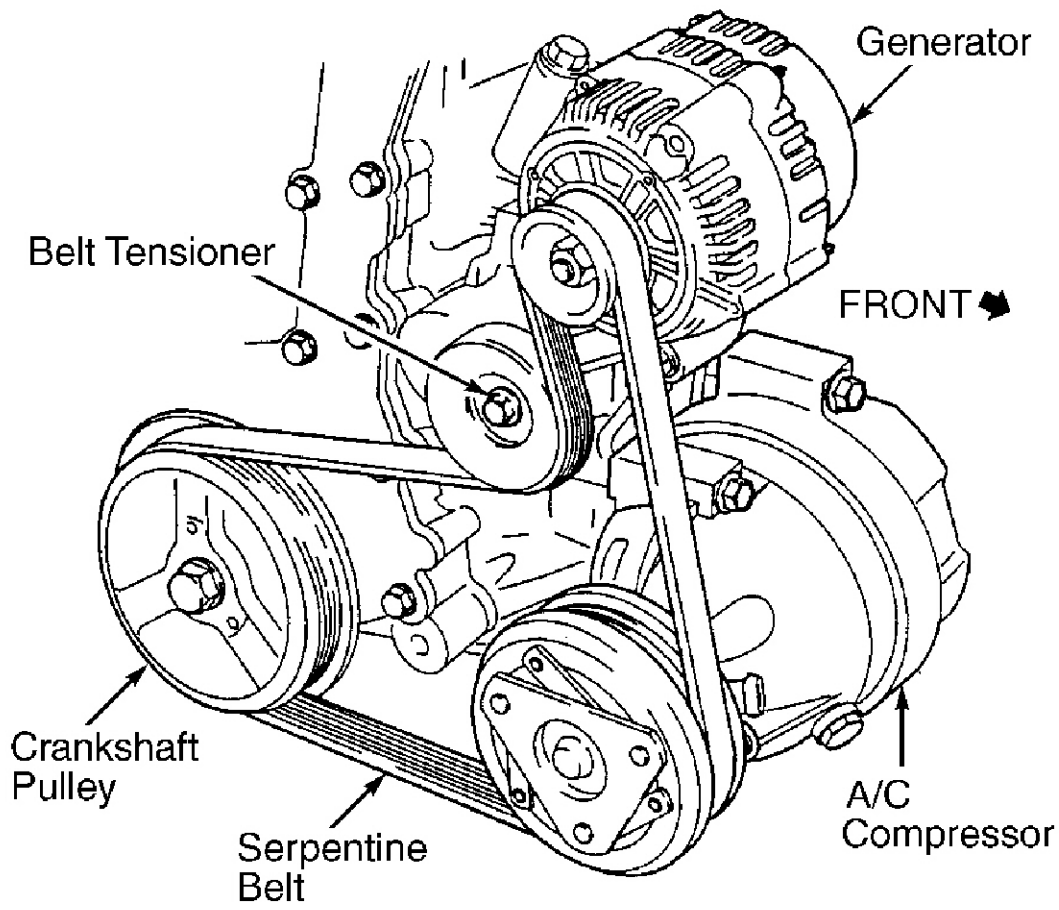
G00005657

Fig. 6: Serpentine Belt Routing (2.2L "J" Body - Without A/C)
Courtesy of GENERAL MOTORS CORP.



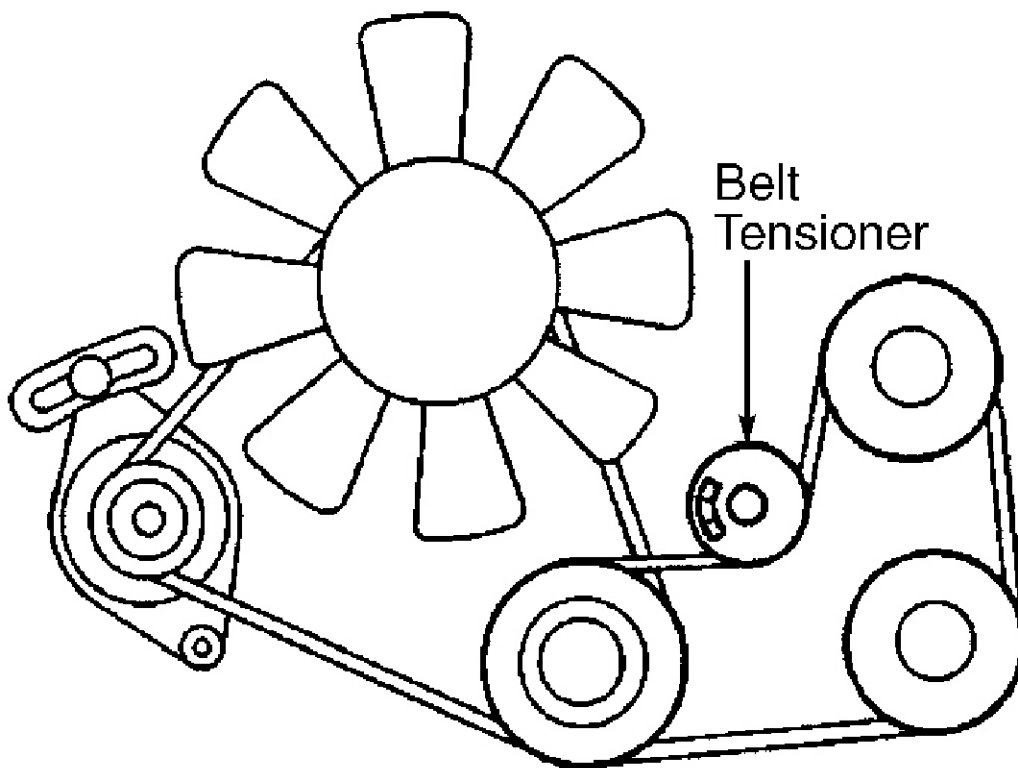
G00005659

Fig. 7: Serpentine Belt Routing (2.2L "S" Series)
Courtesy of GENERAL MOTORS CORP.



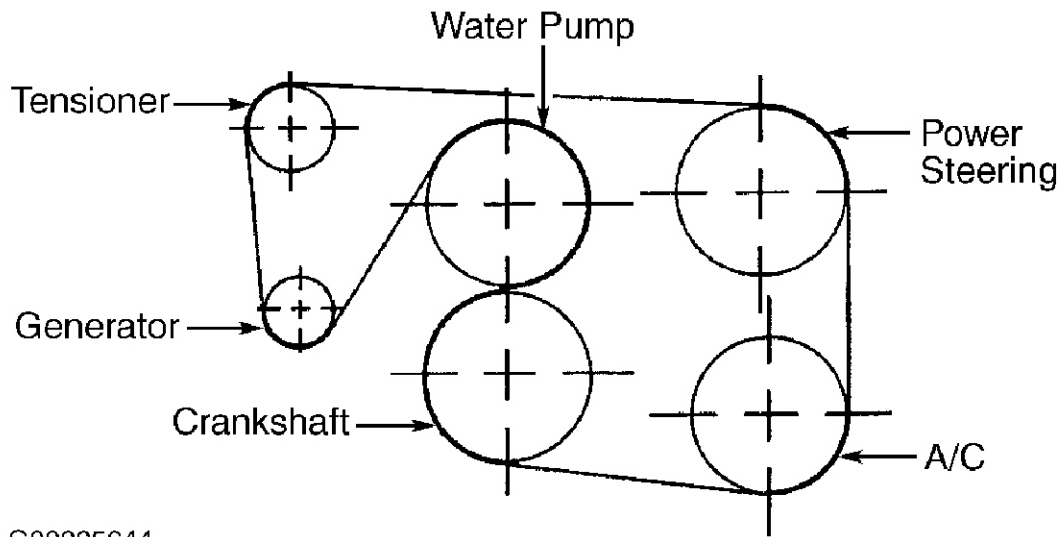
G50G17018

Fig. 8: Serpentine Belt Routing (2.4L "J" & "N" Bodies)
Courtesy of GENERAL MOTORS CORP.



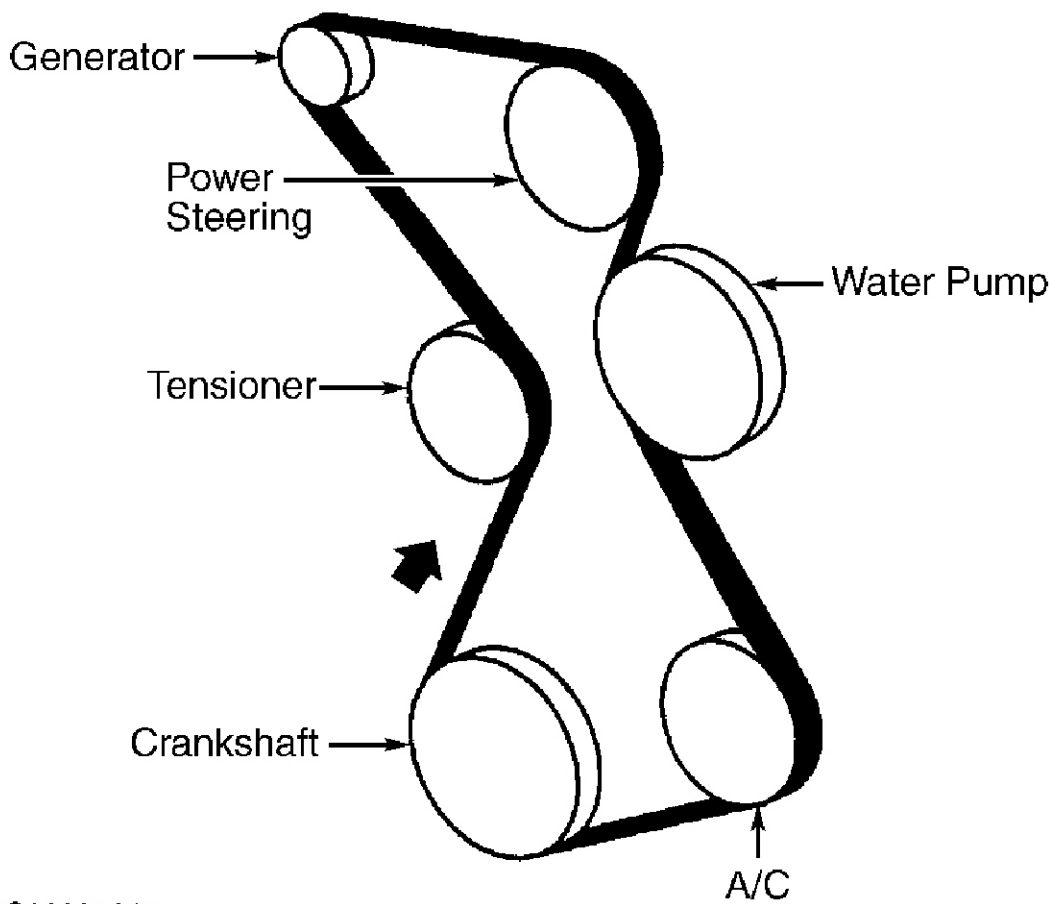
G00021034

Fig. 9: Serpentine Belt Routing (2.5L Tracker)
Courtesy of GENERAL MOTORS CORP.



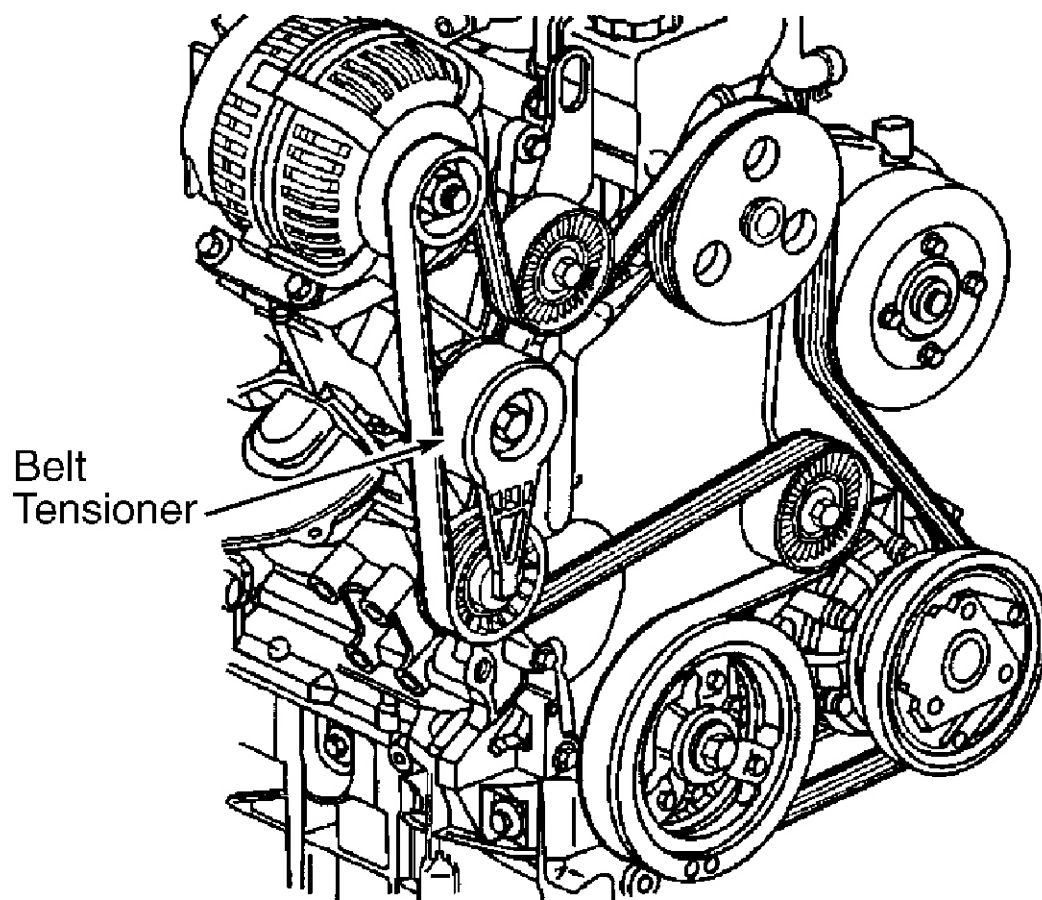
G00005644

Fig. 10: Serpentine Belt Routing (3.0L "V" Body)
Courtesy of GENERAL MOTORS CORP.



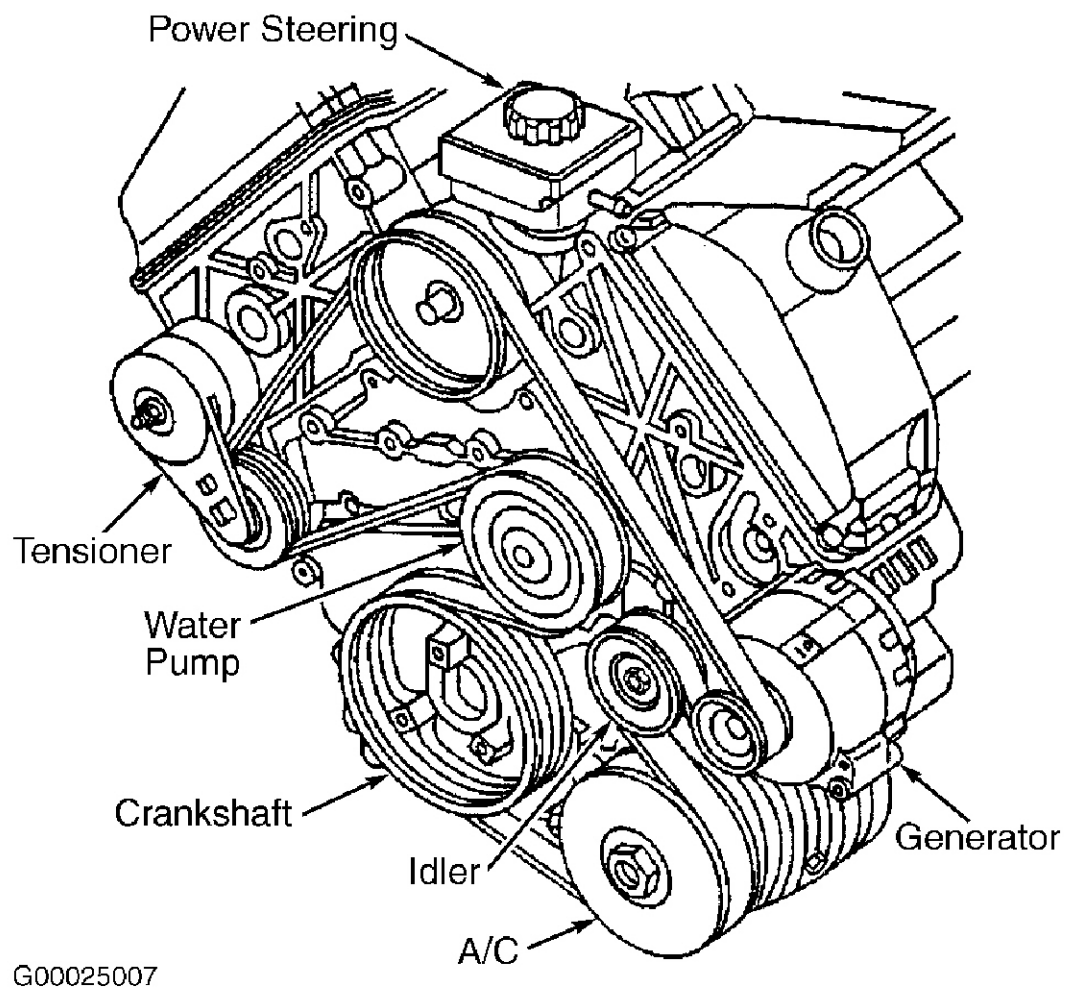
G00005645

Fig. 11: Serpentine Belt Routing (3.1 "N" & "W" Bodies)
Courtesy of GENERAL MOTORS CORP.



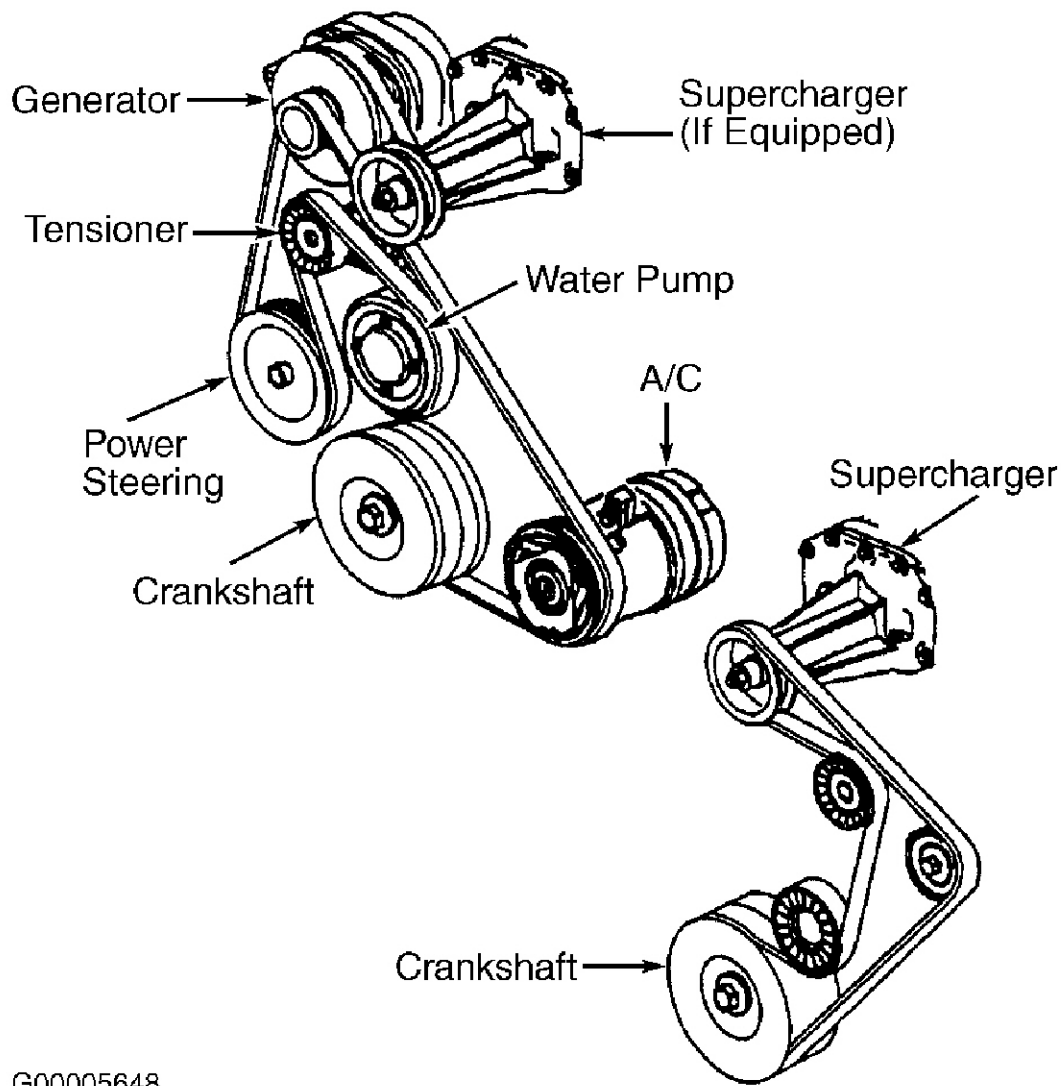
G00021035

Fig. 12: Serpentine Belt Routing (3.4L "N", "W" & "Z" Bodies, & "A", "B" & "U" Series)
Courtesy of GENERAL MOTORS CORP.



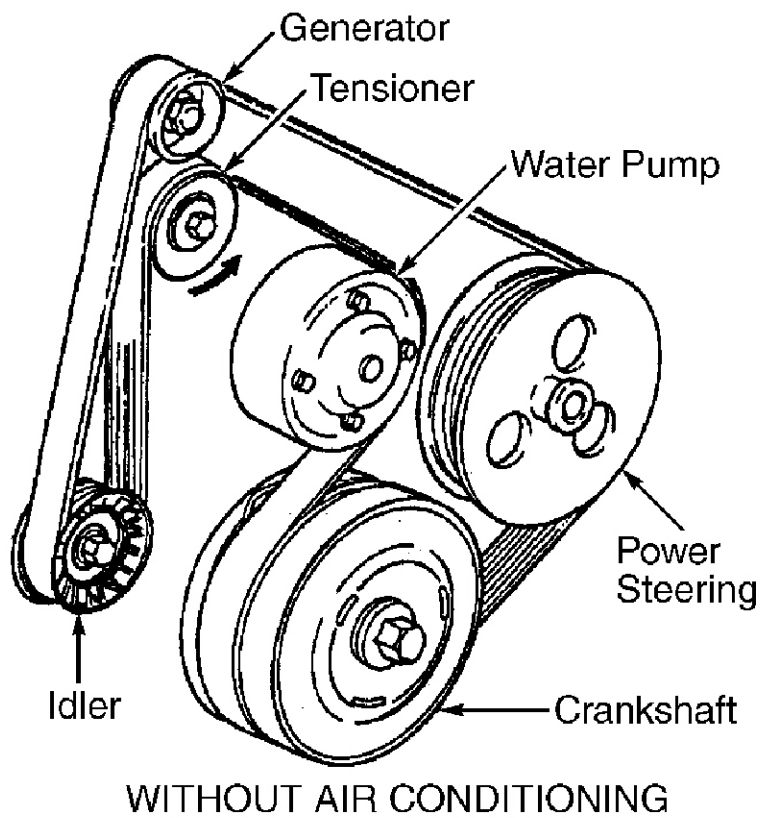
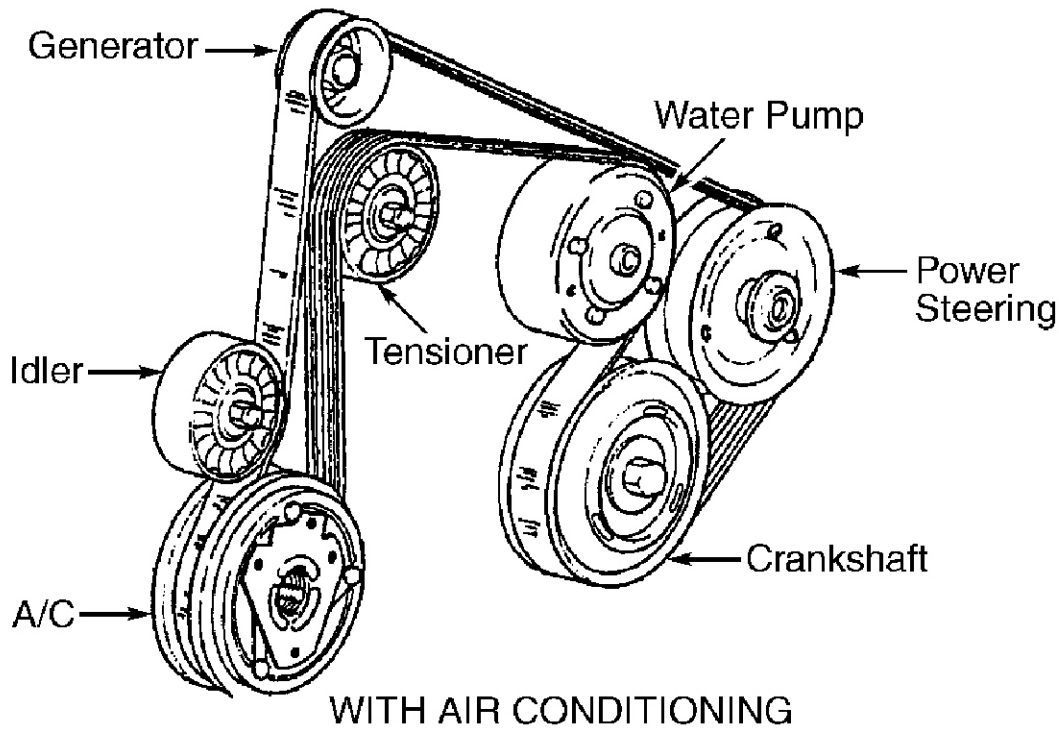
G00025007

Fig. 13: Serpentine Belt Routing (3.5L "N" & "W" Bodies)
Courtesy of GENERAL MOTORS CORP.



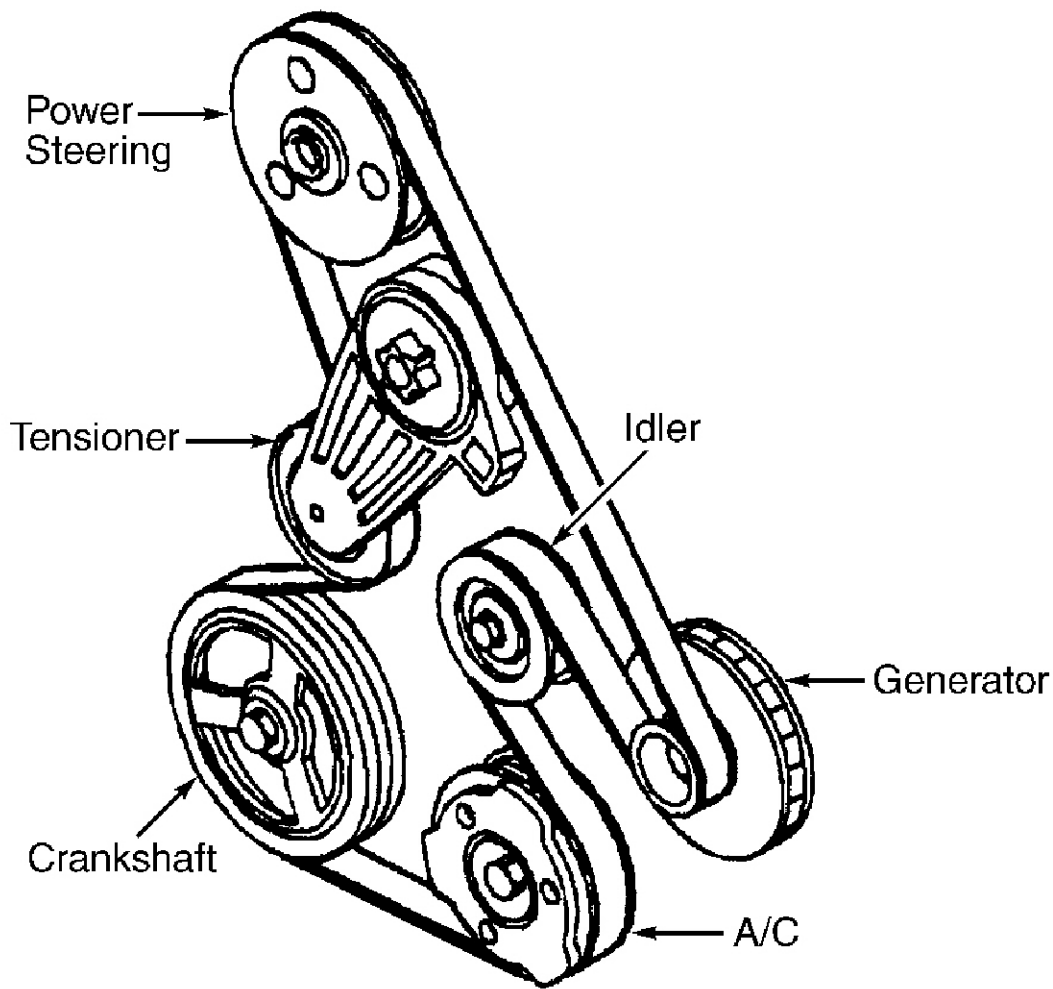
G00005648

Fig. 14: Serpentine Belt Routing (3.8L "C", "G", "H" & "W" Bodies)
Courtesy of GENERAL MOTORS CORP.



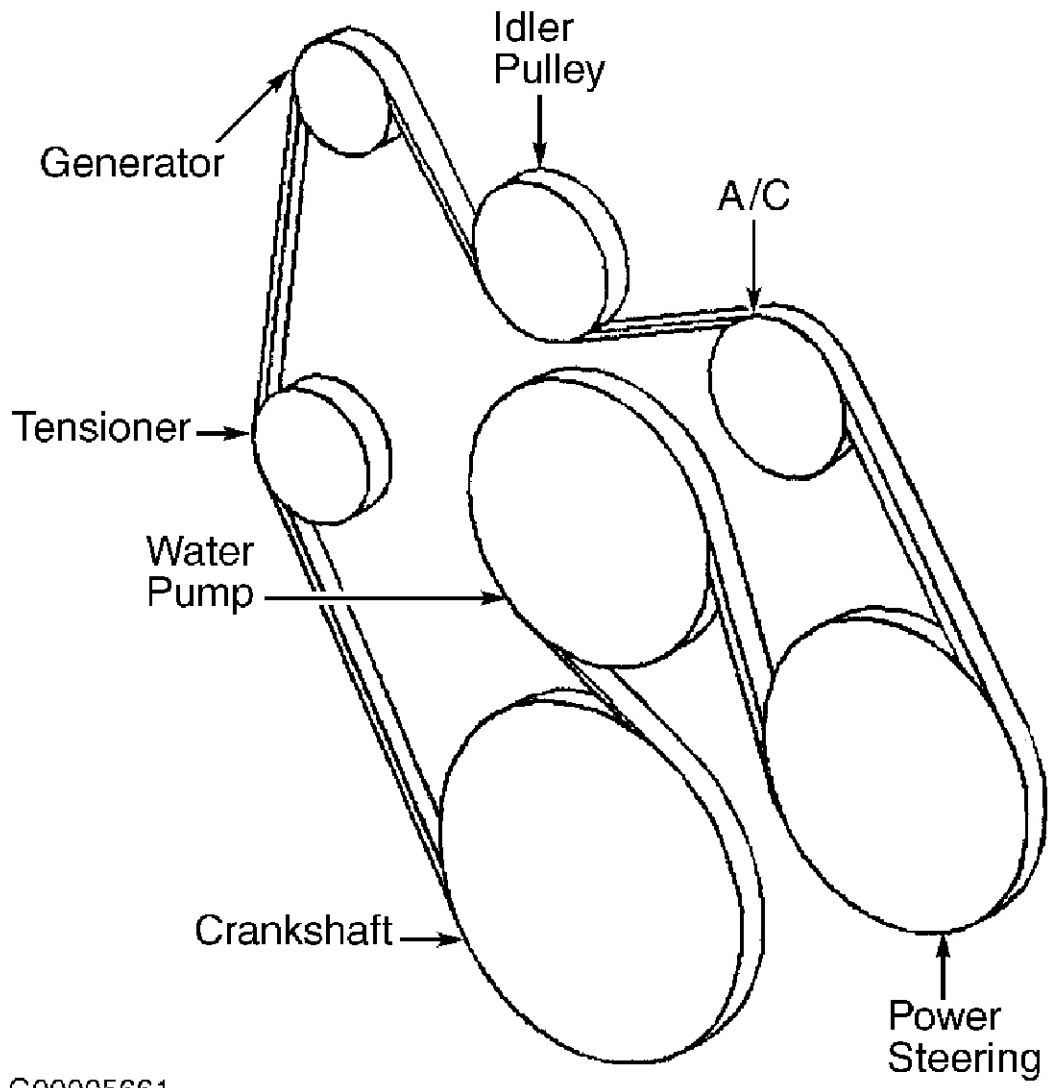
G00005649

Fig. 15: Serpentine Belt Routing (3.8L "F" Body)
Courtesy of GENERAL MOTORS CORP.



G00005650

Fig. 16: Serpentine Belt Routing (4.0L "G" Body & 4.6L "E" & "K" Bodies)
Courtesy of GENERAL MOTORS CORP.



G00005661

**Fig. 17: Serpentine Belt Routing (4.3L, 5.0L, 5.7L & 7.4L, "S" & "T" Series)
Courtesy of GENERAL MOTORS CORP.**

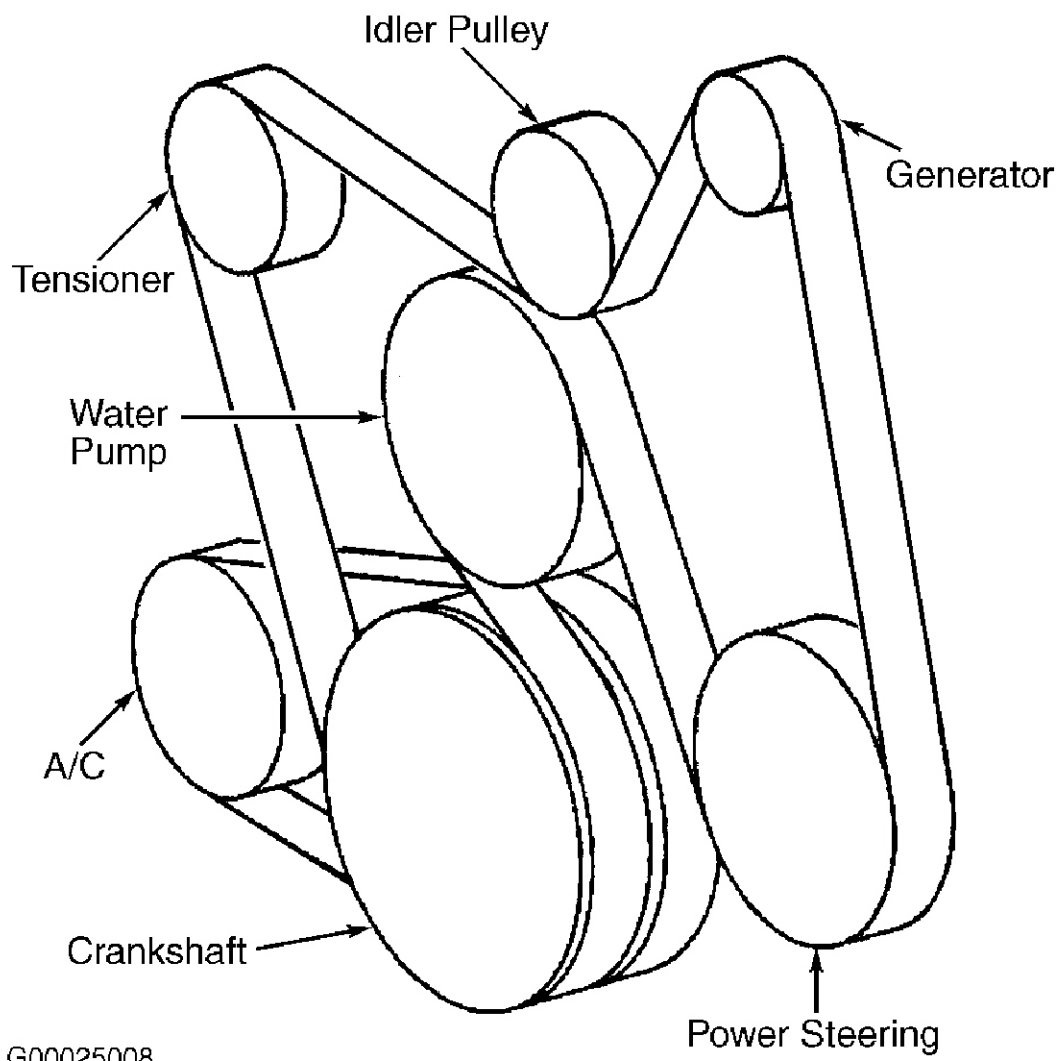
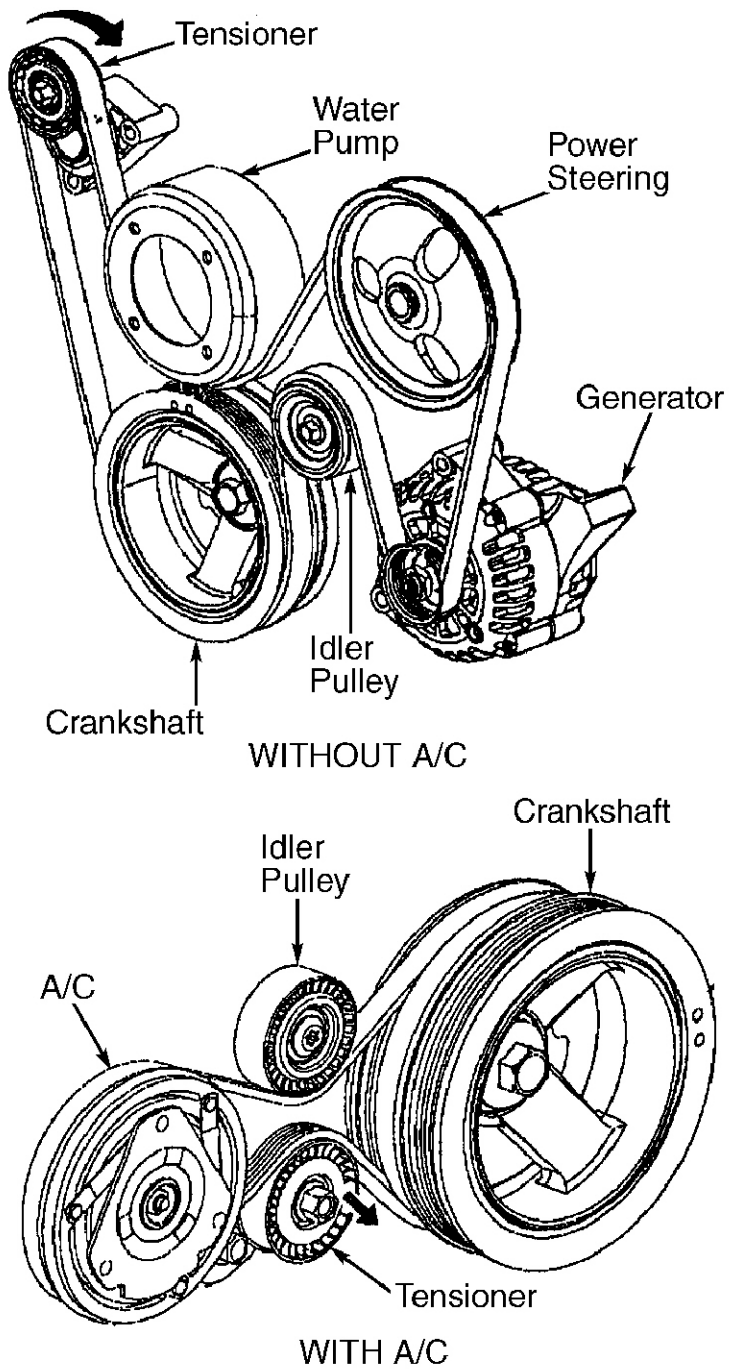
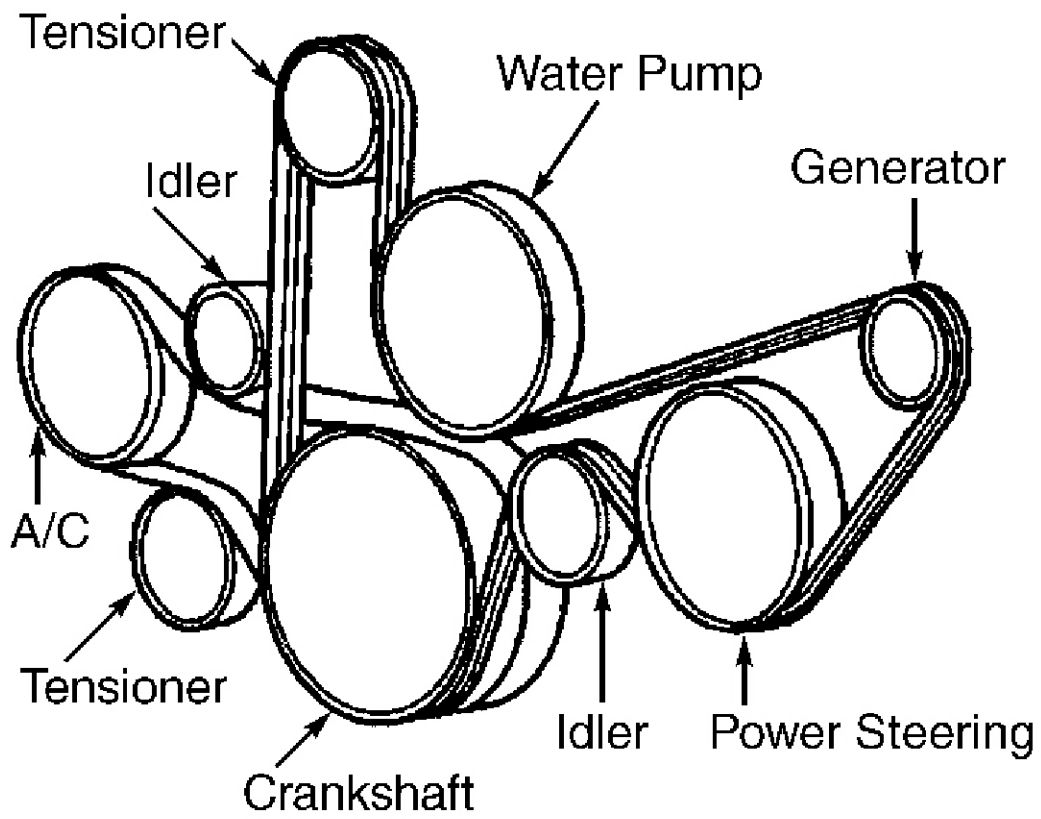


Fig. 18: Serpentine Belt Routing (4.8L, 5.3L & 6.0L "C" & "K" Series)
Courtesy of GENERAL MOTORS CORP.



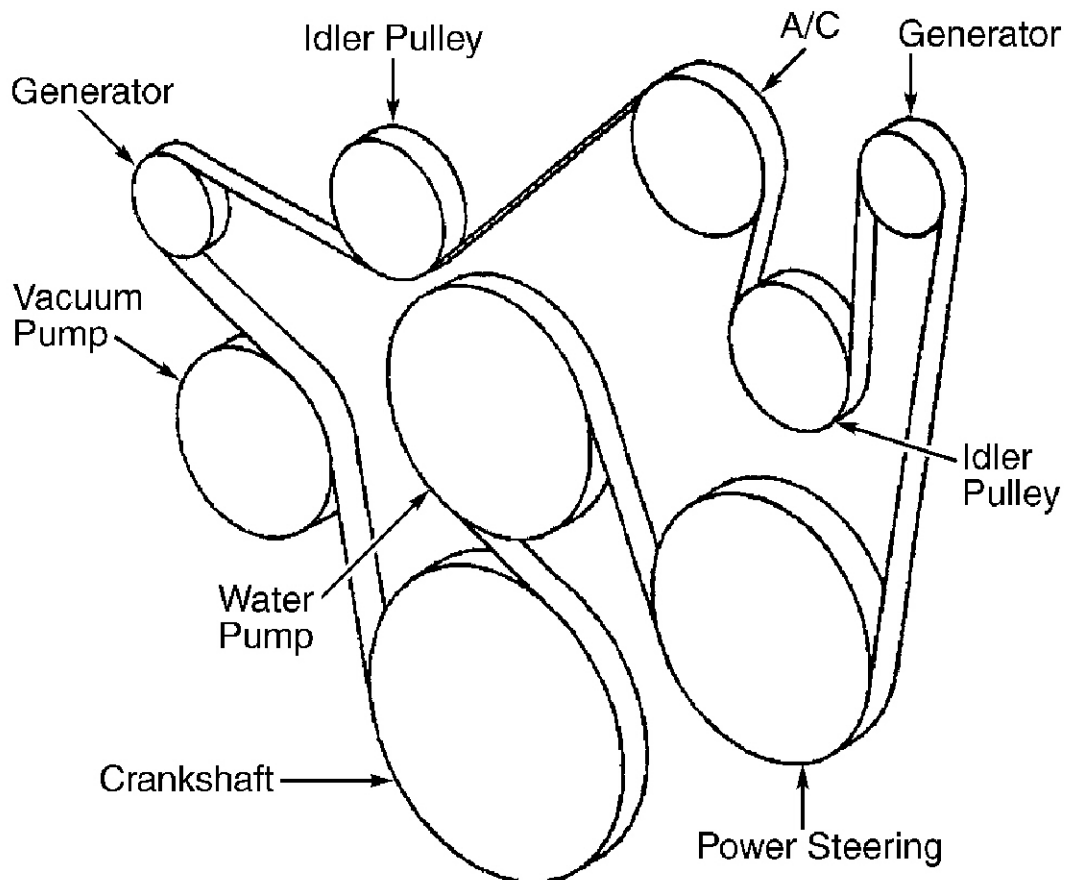
G00005658

Fig. 19: Serpentine Belt Routing (5.7L "F" Body)
Courtesy of GENERAL MOTORS CORP.



G00005654

Fig. 20: Serpentine Belt Routing (5.7L "Y" Body)
Courtesy of GENERAL MOTORS CORP.



G00025009

Fig. 21: Serpentine Belt Routing (6.5L Turbo-Diesel "C", "G" & "K" Series With Dual Generators)
Courtesy of GENERAL MOTORS CORP.

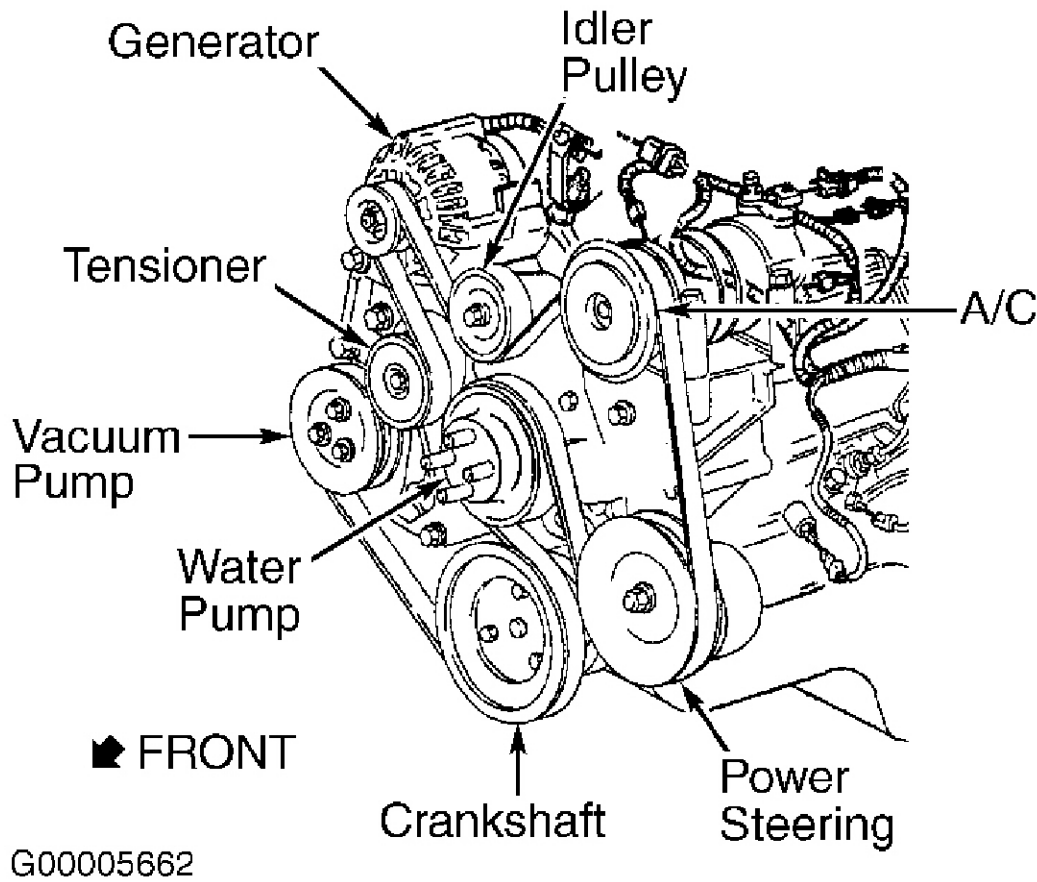
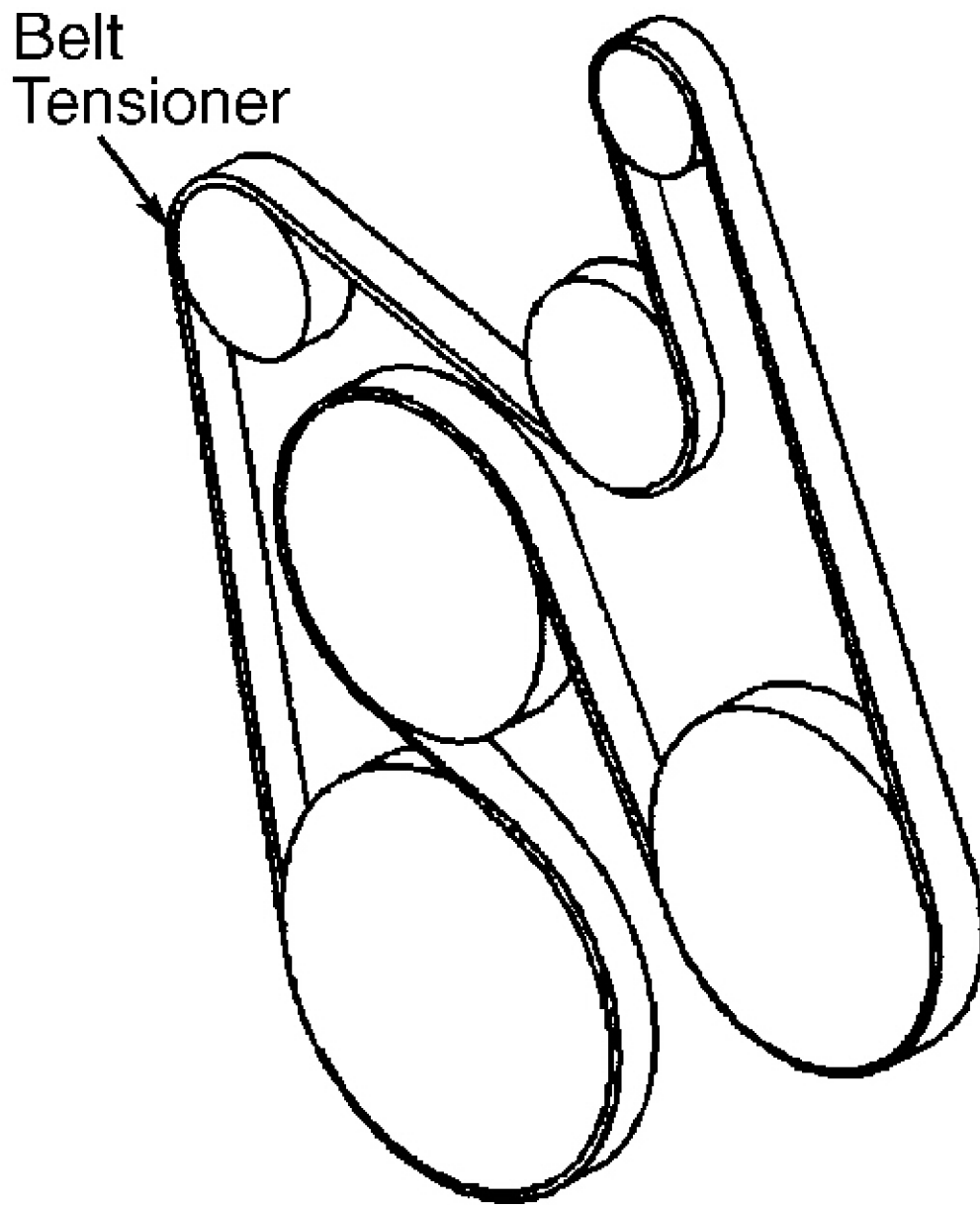


Fig. 22: Serpentine Belt Routing (6.5L Turbo-Diesel "C", "G" & "K" Series Without Dual Generators)
Courtesy of GENERAL MOTORS CORP.



G00021037

Fig. 24: Serpentine Belt Routing (8.1L "C", "G" & "K" Series)
Courtesy of GENERAL MOTORS CORP.

2001 Cadillac Catera

2000-01 ENGINE COOLING Cooling System Specifications & Drive Belt Routing - All Models

2001 Cadillac Catera

2000-01 ENGINE COOLING Cooling System Specifications & Drive Belt Routing - All Models

2001 Cadillac Catera

2000-01 ENGINE COOLING Cooling System Specifications & Drive Belt Routing - All Models

2001 Cadillac Catera

2000-01 ENGINE COOLING Cooling System Specifications & Drive Belt Routing - All Models

2001 Cadillac Catera

2000-01 ENGINE COOLING Cooling System Specifications & Drive Belt Routing - All Models

2001 Cadillac Catera

2000-01 ENGINE COOLING Cooling System Specifications & Drive Belt Routing - All Models

2001 Cadillac Catera

2000-01 ENGINE COOLING Cooling System Specifications & Drive Belt Routing - All Models