

**2001 Cadillac Catera**

2001 GENERAL MOTORS Catera

**2001 GENERAL MOTORS****Catera****BUZZERS, RELAYS & TIMERS****BUZZERS, RELAYS & TIMERS LOCATION**

<b>Component</b>	<b>Location</b>
A/C Compressor Relay	On left front of engine compartment, in ECM housing.
Auxiliary Water Pump Relay	On left front of engine compartment, in ECM housing.
Daytime Running Lamp (DRL) Relay	On right side of steering column, on relay box.
Door Lock Relay	Mounted on lower right "A" pillar, behind BCM.
Driver Seat Heater Relay	Under left side of dash.
ECM Relay	On left front of engine compartment, in ECM housing.
Engine Controls Power Relay	On left front of engine compartment, in ECM housing.
Fan Control Relay (5)	On left front of engine compartment, in ECM housing.
Fuel Pump Relay	On left front of engine compartment, in ECM housing.
Heated Outside Rear View Mirror & Rear Window Defogger Relay	On right side of steering column, on relay box.
Horn Relay	On right side of steering column, on relay box.
Left Headlamp Relay (High Beam)	On right side of steering column, on relay box.
Low Beam Relay	On right side of steering column, on relay box.
Multi-Function Relay	Under left side of dash.
Park Lamp Relay	On right side of steering column, on relay box.
Passenger Seat Heater Relay	Under left side of dash.
Rear Seat Cushion Seat Heater Relay (Left/Right)	Underneath left side of rear seats.
Rear Suspension Leveling Air Compressor Relay	On right side of steering column, on relay box.
Right Headlamp Relay (High Beam)	On right side of steering column, on relay box.
Secondary Air Injection Pump Relay	On left front of engine compartment, in ECM housing.
Turn Signal Lamp Flasher	On right side of steering column, on relay box.
Windshield Wiper Motor Relay	On left front of engine compartment, in ECM housing.

**CIRCUIT PROTECTION DEVICES****CIRCUIT PROTECTION DEVICES LOCATION**

<b>Component</b>	<b>Location</b>
Fuse Block	Mounted to dash, on lower left side of steering column.
Power Distribution Fuse Block	On left front of engine compartment, attached to ECM housing.
Relay Box	To right side of steering column.

**2001 Cadillac Catera**

2001 GENERAL MOTORS Catera

**CONTROL UNITS**

**CONTROL UNITS LOCATION**

<b>Component</b>	<b>Location</b>
Blower Controller/Control Module	Behind right side of dash, part of HVAC module.
Body Control Module (BCM)	Mounted on right "A" pillar, behind trim panel.
Cruise Control Module	Right rear of engine compartment, attached to lower rail.
Driver Seat Adjuster Memory Module	On underside of driver's seat.
Electronic Brake/Traction Control Module (EBTCM)	On left front of engine compartment, mounted to lower rail.
Engine Control Module (ECM)	On left front of engine compartment, in ECM housing. See <b>Fig. 1</b> .
Inflatable Restraint Sensing & Diagnostic & Seat Belt Pretensioner Module	Under center console, near parking brake lever. See <b>Fig. 6</b> .
Power Steering Control Module	Under left side of dash.
Radio Antenna Amplifier	On top of rear deck, under trim panel.
Radio Speaker Amplifier	In rear compartment, in tray attached to rear deck.
Remote Control Door Lock Receiver	In rear compartment, below left side of rear window trim panel.
Sound Processor Interface	In rear compartment, below left side of rear window trim panel.
Sun Roof Actuator	At front center of roof, above rearview mirror.
Theft Deterrent Module	Mounted to ignition lock cylinder, upper right side of steering column.
Transmission Control Module (TCM)	Behind right side of dash.

**MOTORS**

**MOTORS LOCATION**

<b>Component</b>	<b>Location</b>
Auxiliary Engine Coolant Fan No. 1	On front left side of radiator.
Auxiliary Engine Coolant Fan No. 2	On front right side of radiator.
Blower Motor	Behind right side of dash, part of blower controller.
ECM Cooling Blower	Left rear of engine compartment, attached to ECM housing.
Electric Cooling Fan	On front center of engine compartment, behind radiator.
Fuel Pump	Under rear of vehicle, inside fuel tank.
Heater Water Auxiliary Pump	On left front of engine compartment. See <b>Fig. 5</b> .
Rear Sunshade Motor	On rear deck, under trim panel.
Rear Suspension Leveling Air Compressor	On right front of vehicle. See <b>Fig. 8</b> .
Secondary Air Injection Pump	On left front rail, under wheelhouse.
Sun Roof Actuator Motor	Front center of roof, above inside rearview mirror.
Water Auxiliary Pump	On left front of engine compartment.
Windshield Washer Pump	In washer solvent reservoir.
Windshield Wiper Motor	Center rear of engine compartment.

**SENDING UNITS & SENSORS**

**2001 Cadillac Catera**

2001 GENERAL MOTORS Catera

**SENDING UNITS & SENSORS LOCATION**

<b>Component</b>	<b>Location</b>
Accelerator Pedal Position (APP) Sensor	On mounting bracket, on top of accelerator pedal.
Air Duct Temperature Sensor (Left/Right)	Behind right side of dash, part of HVAC module.
Ambient Air Outside Temperature Sensor	Behind lower left front fascia. See <b>Fig. 7</b> .
Automatic Level Control Sensor	Attached to right side of rear differential. See <b>Fig. 8</b> .
Brake Fluid Minimum Capacity Sensor	Part of brake master cylinder reservoir cap.
Camshaft Position (CMP) Sensor	On front of engine block. See <b>Fig. 3</b> .
Cooling Fluid Minimum Capacity Sensor	Inside engine coolant overflow reservoir.
Crankshaft Position (CKP) Sensor	On left rear of engine block. See <b>Fig. 1</b> .
Engine Coolant Temperature Gauge Sensor	Mounted in coolant bridge.
Engine Coolant Temperature (ECT) Sensor	Mounted in coolant bridge. See <b>Fig. 1</b> .
Engine Oil Level Sensor	In lower right front of engine block. See <b>Fig. 4</b> .
Front Disc Brake Pad Wear Sensor (Left/Right)	Attached to respective front brake caliper.
Front Wheel Speed Sensors (2)	Attached to respective front steering knuckle.
Fuel Sender	Under rear of vehicle, inside of fuel tank.
Fuel Tank Pressure Sensor	Under rear of vehicle, inside of fuel tank.
Headlamp Automatic Control Ambient Light Sensor	Mounted on top of dash.
Heated Oxygen Sensor (HO2S) (Bank 1 Position 1)	In right front pipe of exhaust catalytic converter.
Heated Oxygen Sensor (HO2S) (Bank 1 Position 2)	In right rear pipe of exhaust catalytic converter.
Heated Oxygen Sensor (HO2S) (Bank 2 Position 1)	In left front pipe of exhaust catalytic converter.
Heated Oxygen Sensor (HO2S) (Bank 2 Position 2)	In left rear pipe of exhaust catalytic converter.
Inflatable Restraint Side Impact Sensor (Left/Right)	In lower corner of respective front side door.
Intake Air Temperature (IAT) Sensor	Right front of engine compartment.
Knock Sensor (KS) Bank 1	On right side of engine. See <b>Fig. 2</b> .
Knock Sensor (KS) Bank 2	On left side of engine. See <b>Fig. 3</b> .
Mass Airflow (MAF) Sensor	In air intake passage, between air cleaner & resonance chamber. See <b>Fig. 1</b> .
Output Shaft Speed (OSS) Sensor	Left rear of transmission.
Rear Wheel Speed Sensors (2)	Mounted inboard on respective side of rear axle differential.
Throttle Position (TP) Sensor	On throttle body assembly. See <b>Fig. 2</b> .
Vehicle Speed Sensor (VSS) Assembly	On left rear of transmission housing.

**SOLENOIDS & SOLENOID VALVES**

**SOLENOIDS & SOLENOID VALVES LOCATION**

<b>Component</b>	<b>Location</b>
Automatic Transmission Shift Lock Control Solenoid	At left of shift lever.
Brake Pressure Modulator Valve	Attached to EBTCM.
Defroster Valve Actuator	Behind right side of dash, part of HVAC module.
Evaporative (EVAP) Purge Solenoid Valve	On right rear of intake manifold plenum. See <b>Fig. 1</b> .
Evaporative (EVAP) Tank Solenoid Valve	On top of fuel tank.
Fuel Tank Filler Door Lock Actuator	Inside rear compartment, near fuel door filler.
Idle Air Control (IAC) Valve	On left side of intake plenum.
Inside Air Valve Actuator	Behind right side of dash, part of HVAC module.
Intake Plenum Switch-Over Solenoid Valve	On left rear of engine. See <b>Fig. 2</b> .

**2001 Cadillac Catera**

2001 GENERAL MOTORS Catera

Intake Resonance Switch-Over Solenoid Valve Mode Valve Actuator (Floor)	Attached to rear of resonance chamber. See <b>Fig. 2</b> . Behind right side of dash, part of HVAC module.
Power Steering Fluid Flow Control Valve Actuator	Attached to power steering pump.
Rear Compartment Lid Lock Release Actuator	Attached to rear compartment lid.
Recirculation Vacuum Solenoid Valve	Behind left side of dash, part of HVAC module.
Secondary Air Injection Pump Solenoid Valve	On front center of engine compartment, under secondary air injection switch-over valve. See <b>Fig. 5</b> .
Temperature Valve Actuator (Left/Right)	Behind respective side of dash, mounted to HVAC module.
Water Cut-Off Vacuum Solenoid Valve	Behind left side of dash, mounted to HVAC module.

**SWITCHES**

**SWITCHES LOCATION**

<b>Component</b>	<b>Location</b>
A/C Compressor Refrigerant Pressure Switch	On left front of engine compartment, mounted in A/C compressor/condenser hose. See <b>Fig. 5</b> .
A/C Load Switch	On left front of engine compartment, mounted in A/C compressor/condenser hose. See <b>Fig. 5</b> .
Automatic Transmission Range Switch	On left side of transmission housing.
Automatic Transmission Shift Lock Control Switch	At right of shift lever.
Automatic Transmission Shift Lock/Unlock Switch	At left of shift lever.
Cruise Control Release Switch	Attached to brake pedal.
Engine Oil Pressure Gauge Switch	Lower right front of engine. See <b>Fig. 4</b> .
Park Brake Indicator Switch	In center console, attached to park brake lever. See <b>Fig. 6</b> .
Primary Coolant Fan Temperature Switch	In upper left side of radiator.
Seat Belt Switch	Part of driver's seat belt buckle.
Secondary Cooling Fan Temperature Switch	In lower left side of radiator.
Starter Motor Switch	On lower right side of engine, attached to starter motor. See <b>Fig. 4</b> .
Stoplight Switch	Attached to brake pedal.
Wide Open Throttle (WOT) Switch	Attached to throttle cable.
Windshield Washer Solvent Level Switch	Inside windshield washer solvent reservoir.

**MISCELLANEOUS**

**MISCELLANEOUS LOCATION**

<b>Component</b>	<b>Location</b>
A/C Compressor Diode	At A/C compressor clutch coil connector.
Condenser	Near ignition coil.
Coolant Fan Test Connector	On left front of engine compartment, in ECM housing.
Data Link Connector (DLC)	Attached to dash carrier, lower left side of steering column.
Driver Seat Belt Pretensioner	On lower right side of driver seat.
ECM Housing	On left front of engine compartment. See <b>Fig. 1</b> .

**2001 Cadillac Catera**

2001 GENERAL MOTORS Catera

Engine Coolant Fan Resistor	On left side of engine compartment, mounted beneath battery. See <b>Fig. 5</b> .
Generator	Attached to right lower front of engine. See <b>Fig. 4</b> .
Ignition Coil (6)	Next to left/right camshaft cover.
Inflatable Restraint Steering Wheel Module Coil	Mounted on steering column.
Passenger Seat Belt Pretensioner	On lower left side of passenger seat.

**CONNECTORS**

**CONNECTORS LOCATION**

<b>Component</b>	<b>Location</b>
C100 (Black, 10 Pin)	In left front of engine compartment.
C101 (Gray, 6 Pin)	In left front of engine compartment.
C102 (Brown, 6 Pin)	In left front of engine compartment, behind battery.
C105 (White, 20 Pin)	In left front of engine compartment, behind battery.
C106 (Blue, 20 Pin)	In left front of engine compartment, behind battery.
C108 (Black, 2 Pin)	In right rear of engine compartment.
C110 (Black, 9 Pin)	In ECM housing.
C111 (Gray, 6 Pin)	In left front of engine compartment.
C112 (Black, 7 Pin)	At top front of engine.
C200A (Light Green, 80 Pin)	At lower left "A" pillar.
C200B (Blue, 43 Pin)	At lower left "A" pillar.
C201 (Black, 2 Pin)	At cellular telephone microphone.
C205 (White, 9 Pin)	Attached to automatic transmission control, to right of shift lever.
C210 (Black, 42 Pin)	At lower right "A" pillar, next to BCM.
C218	I/P wiring harness to VIU wiring harness.
C301 (White, 9 Pin)	At base of right "B" pillar.
C303 (Black, 15 Pin)	At lower left "B" pillar.
C304 (Black, 15 Pin)	At lower right "B" pillar.
C310 (Gray, 20 Pin)	Under driver seat.
C315A (Gray, 2 Pin)	Under driver seat.
C315B (Black, 8 Pin)	Under driver seat.
C315C	Under driver seat.
C315D	Under driver seat.
C316	Under passenger seat.
C316C	Under passenger seat.
C316D	Under passenger seat.
C317	Under driver seat.
C318	Under passenger seat.
C320 (Black, 9 Pin)	Under left side of rear seat.
C400 (Black, 8 Pin)	Beneath vehicle, near front of fuel tank.
C401 (Gray, 6 Pin)	In rear compartment, near right stop/taillamp.
C403 (Black, 4 Pin)	Body wiring harness to roof wiring harness.
C405 (White, 9 Pin)	On rear compartment lid, under trim panel.
C500 (Black, 40 Pin)	On rear compartment lid, under trim panel.
C600 (Black, 40 Pin)	At lower right "A" pillar.

**2001 Cadillac Catera**

2001 GENERAL MOTORS Catera

**GROUNDINGS****GROUNDINGS LOCATION**

<b>Component</b>	<b>Location</b>
G100	On engine, below power steering pump.
G103	At left front of engine compartment, near C102.
G200	At lower left "A" pillar, above C200.
G201	Mounted near relay box.
G400	On lower left corner of rear compartment, near left stop/taillamp.

**SPLICES****SPLICES LOCATION**

<b>Component</b>	<b>Location</b>
S100	Forward lamp wiring harness, 26 cm from C100.
S101	Forward lamp wiring harness, 26 cm from C100.
S102	Forward lamp wiring harness, 26 cm from C100.
S103	Body wiring harness, 27 cm from P107.
S104	Body wiring harness, 83 cm from P103.
S105	Body wiring harness, 83 cm from P103.
S106	Body wiring harness, 83 cm from P103.
S107	Body wiring harness, at EBCM connector C2 breakout.
S108	A/C control wiring harness, 12 cm from C111 breakout.
S109	A/C control wiring harness, 12 cm from C111 breakout.
S110	A/C control wiring harness, 12 cm from C111 breakout.
S111	A/C control wiring harness, 12 cm from C111 breakout.
S112	A/C control wiring harness, inside ECM housing, near P104.
S113	A/C control wiring harness, inside ECM housing, near P104.
S114	A/C control wiring harness, inside ECM housing, near P104.
S115	A/C control wiring harness, inside ECM housing, near P104.
S116	A/C control wiring harness, inside ECM housing, near P104.
S117	A/C control wiring harness, inside ECM housing, near P104.
S118	A/C control wiring harness, inside ECM housing, near P104.
S120	ECM wiring harness, in ECM housing, near ECM connector.
S121	ECM wiring harness, in ECM housing, near ECM



**2001 Cadillac Catera**

2001 GENERAL MOTORS Catera

	connector.
S123	ECM wiring harness, in ECM housing, near ECM connector.
S124	ECM wiring harness, in ECM housing, near ECM connector.
S125	A/C control wiring harness, 12 cm from C111 breakout.
S127	ECM wiring harness, in ECM housing, near ECM connector.
S128	ECM wiring harness, in ECM housing, near ECM connector.
S130	ECM wiring harness, in ECM housing, near ECM connector.
S131	ECM wiring harness, in ECM housing, near ECM connector.
S132	ECM wiring harness, 10 cm from ignition coil breakout.
S133	Body wiring harness, 120 cm from C200 breakout.
S134	Body wiring harness, 120 cm from C200 breakout.
S135	Body wiring harness, 120 cm from C200 breakout.
S136	Body wiring harness, 5 cm from C200 breakout.
S145	Windshield washer nozzle heater wiring harness, 68 cm from C108.
S146	Windshield washer nozzle heater wiring harness, 68 cm from C108.
S150	Fuel injector wiring harness, near C112.
S160	A/C control wiring harness, inside ECM housing, near P104.
S200	I/P wiring harness, near DLC branch.
S201	I/P wiring harness, on headlamp switch connector branch, near breakout.
S203	Body wiring harness, 3 cm from BCM breakout.
S205	I/P wiring harness, 17 cm from P106.
S206	I/P wiring harness, near multifunction relay K134 breakout.
S207	I/P wiring harness, on headlamp switch connector branch, near breakout.
S210	I/P wiring harness, near multifunction relay K134 connector branch.
S211	I/P wiring harness, near DLC branch.
S212	I/P wiring harness, near multifunction relay K134 breakout.
S213	I/P wiring harness, near DLC breakout.
S214	I/P wiring harness, near DLC breakout.
S215	I/P wiring harness, near DLC breakout.
S217	I/P wiring harness, near multifunction relay K134 breakout.
S218	I/P wiring harness, near DLC breakout.
S220	I/P wiring harness, near DLC breakout.

**2001 Cadillac Catera**

2001 GENERAL MOTORS Catera

S222	I/P wiring harness, near G201 breakout.
S223	I/P wiring harness, near G201 breakout.
S224	I/P wiring harness, near G201 breakout.
S225	I/P wiring harness, near G201 breakout.
S226	I/P wiring harness, near G201 breakout.
S227	I/P wiring harness, near G201 breakout.
S228	I/P wiring harness, near G201 breakout.
S229	I/P wiring harness, near IPC breakout.
S231	I/P wiring harness, near IPC breakout.
S232	I/P wiring harness, near heater & A/C control breakout.
S235	A/C control & module wiring harness, on rear of HVAC module.
S236	A/C control & module wiring harness, on rear of HVAC module.
S241	I/P wiring harness, near DLC breakout.
S242	Radio speaker amplifier wiring harness, near C210 connector breakout.
S245	I/P wiring harness, near multifunction relay K134 breakout.
S246	I/P wiring harness, near multifunction relay K134 breakout.
S248	I/P wiring harness, near IPC breakout.
S250	I/P wiring harness, near IPC breakout.
S251	I/P wiring harness, near G201 breakout.
S252	I/P wiring harness, near G201 breakout.
S260	Body wiring harness, near G200 breakout.
S261	Body wiring harness, near G200 breakout.
S262	I/P wiring harness, near DLC breakout.
S263	I/P wiring harness, near multifunction relay K134 breakout.
S264	Body wiring harness, near G200 breakout.
S266	Body wiring harness, near G200 breakout.
S267	Body wiring harness, near G200 breakout.
S270	Body wiring harness, 62 cm from C200 breakout, toward driver's side.
S271	Body wiring harness, 62 cm from C200 breakout, toward driver's side.
S272	Body wiring harness, 62 cm from C200 breakout, toward driver's side.
S273	Body wiring harness, 62 cm from C200 breakout, toward driver's side.
S301	Sunshade illuminated mirror wiring harness, 4 cm from C305 breakout.
S302	Sunshade illuminated mirror wiring harness, 4 cm from C305 breakout.
S304	Body wiring harness, under driver door rocker panel.
S305	Body wiring harness, console wiring branch, 5 cm



**2001 Cadillac Catera**

2001 GENERAL MOTORS Catera

<b>Component</b>	<b>Location</b>
S306	Forward Body wiring harness, 26 cm from console wiring branch, 5 cm from C100. breakout.
S307	Forward Body wiring harness, base of right "A" pillar, under conduit.
S308	Forward Body wiring harness, base of right "A" pillar, under conduit.
S309	Body wiring harness, 27 cm from P107. "A" pillar, under conduit.
S104	Body wiring harness, 83 cm from P103.
S105	Body wiring harness, 83 cm from P103.
S106	Body wiring harness, 83 cm from P103.
S107	Body wiring harness, 23 cm from RCDLR breakout.
S312	Body wiring harness, base of left "A" pillar, under conduit.
S108	A/C control wiring harness, 12 cm from C110 breakout.
S313	Body wiring harness, base of left "A" pillar, under conduit.
S109	A/C control wiring harness, 12 cm from C110 breakout.
S314	Body wiring harness, 23 cm from RCDLR breakout.
S316	A/C control wiring harness, 2 cm from C200 breakout.
S317	Body wiring harness, base of left "A" pillar, under conduit.
S111	A/C control wiring harness, 12 cm from C110 breakout.
S318	Body wiring harness, base of left "A" pillar, under conduit.
S319	A/C control wiring harness, base of left "A" pillar, under conduit.
S320	Body wiring harness, base of left "A" pillar, under conduit.
S321	Body wiring harness, base of left "A" pillar, under conduit.
S322	Body wiring harness, base of left "A" pillar, under conduit.
S323	Body wiring harness, base of left "A" pillar, under conduit.
S325	Body wiring harness, 10 cm from C303 breakout.
S326	Body wiring harness, base of left "A" pillar, under conduit.
S327	Body wiring harness, base of left "A" pillar, under conduit.
S330	Rear seat heater wiring harness, 8 cm from C320 breakout.
S335	Rear seat heater wiring harness, 8 cm from C320 breakout.
S340	Rear seat heater wiring harness, 8 cm from C320 breakout.
S345	Rear seat heater wiring harness, 8 cm from C320 breakout.
S400	Body wiring harness, 23 cm from RCDLR breakout.
S401	Rear license lamp wiring harness, near C401 breakout.
S402	Rear license lamp wiring harness, near C401 breakout.

**2001 Cadillac Catera**

2001 GENERAL MOTORS Catera

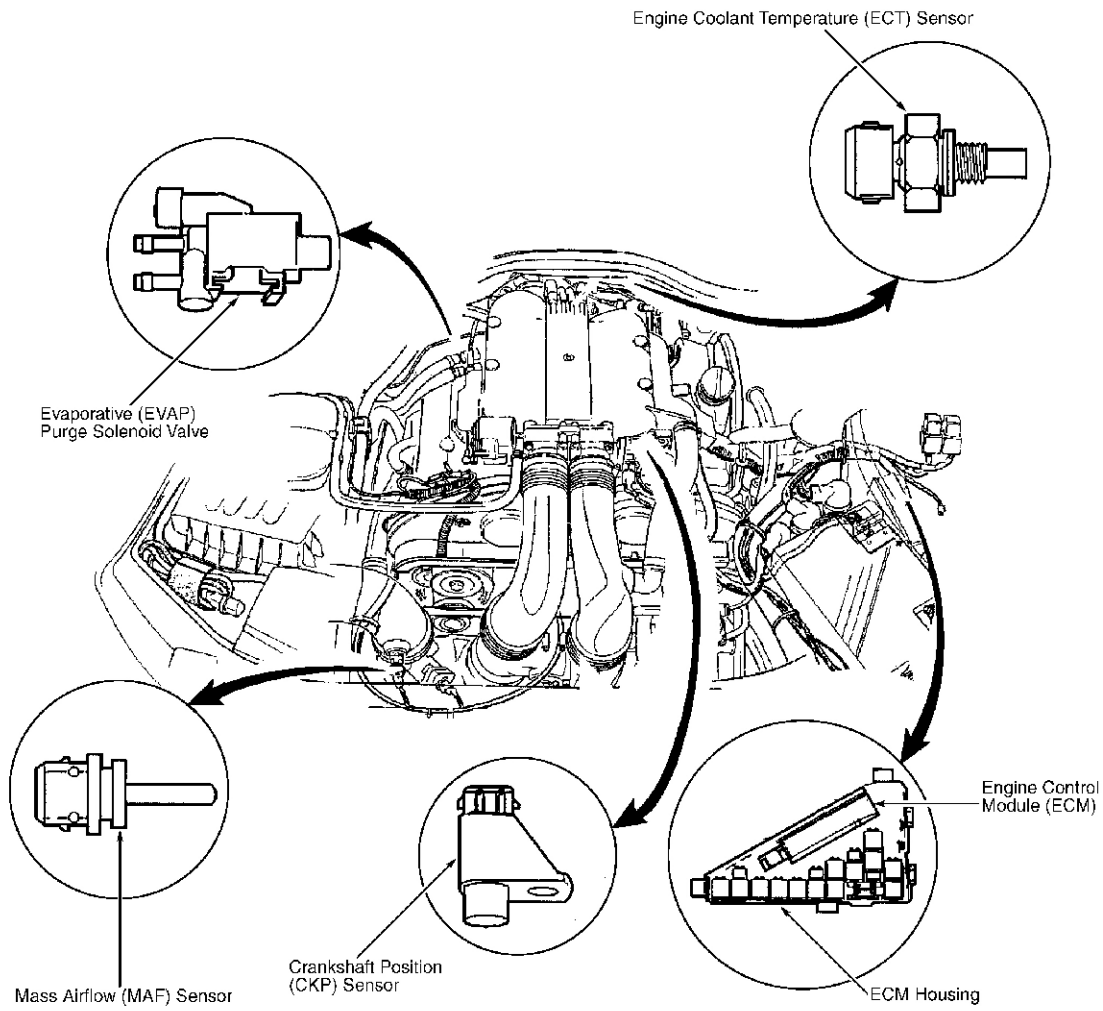
S403		Rear compartment side mirror harness, 6 cm from	
S113		A/C control wiring harness, inside ECM	C405 breakout.
S411		Body wiring harness, 15 cm from P104	CDLR breakout.
S500		A/C control wiring harness, inside ECM housing, near P104	6 cm from outside mirror breakout.
S505		A/C control wiring harness, inside ECM housing, near P104	6 cm from outside mirror breakout.
S506		A/C control wiring harness, inside ECM housing, near P104	6 cm from C500 breakout.
S507		A/C control wiring harness, inside ECM housing, near P104	6 cm from outside mirror breakout.
S508		A/C control wiring harness, inside ECM housing, near P104	6 cm from C500 breakout.
S509		ECM wiring harness, on ECM housing, near ECM connector	6 cm from outside mirror breakout.
S600		ECM wiring harness, on ECM housing, near ECM connector	26 cm from C600 breakout.
S601		ECM wiring harness, on ECM housing, near ECM connector	26 cm from C600 breakout.
S602		ECM wiring harness, on ECM housing, near ECM connector	26 cm from C600 breakout.
S603		A/C control wiring harness, 26 cm from C600	C111 breakout branch breakout.
S700		ECM wiring harness, on ECM housing, near ECM connector	28 cm from P700.
S800		Right rear door wiring harness, 28 cm from P800.	

**COMPONENT LOCATION GRAPHICS**

**NOTE:** Figures may show multiple component locations. Refer to appropriate table for proper figure references.

**2001 Cadillac Catera**

2001 GENERAL MOTORS Catera

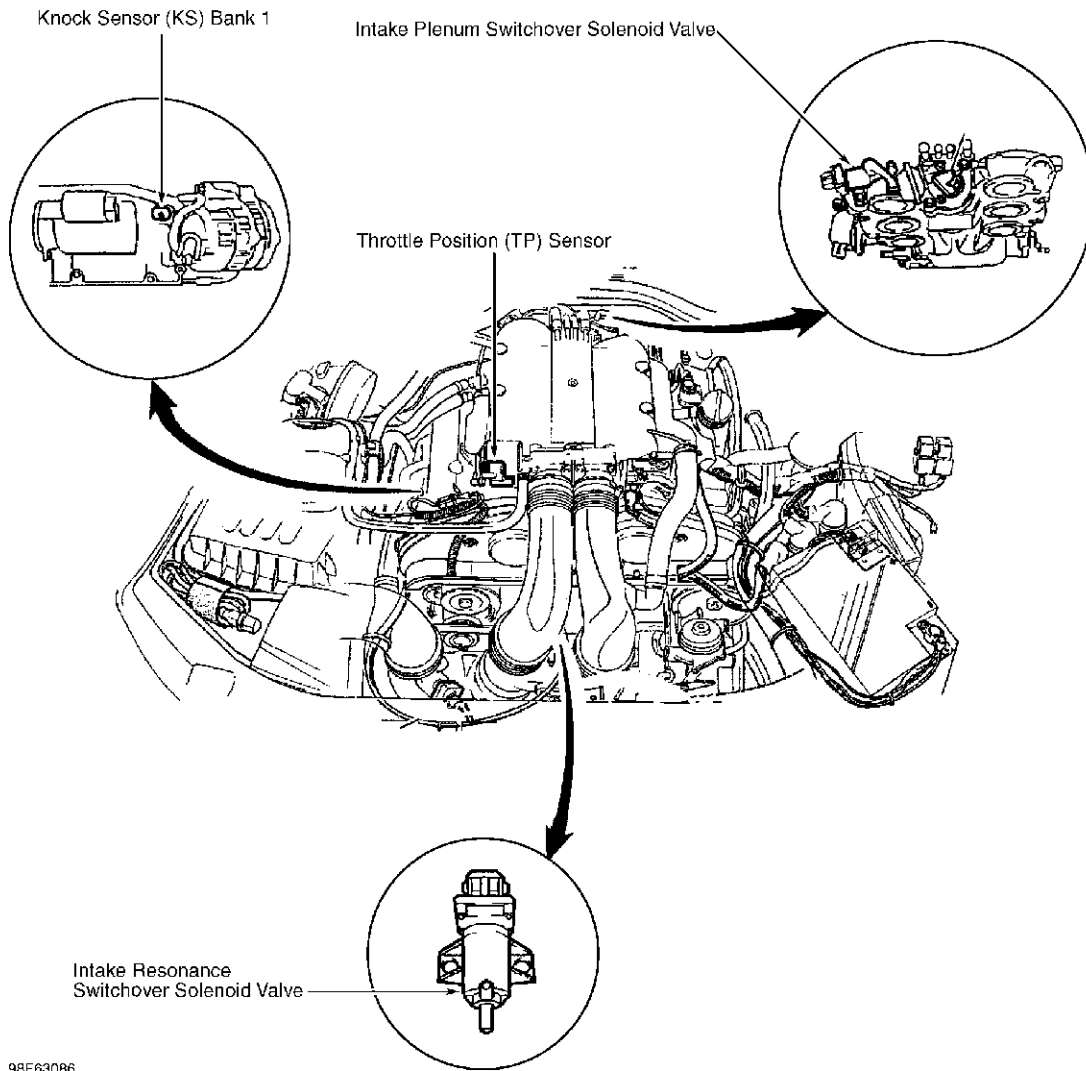


98E63085

**Fig. 1: Top Of Engine**  
**Courtesy of GENERAL MOTORS CORP.**

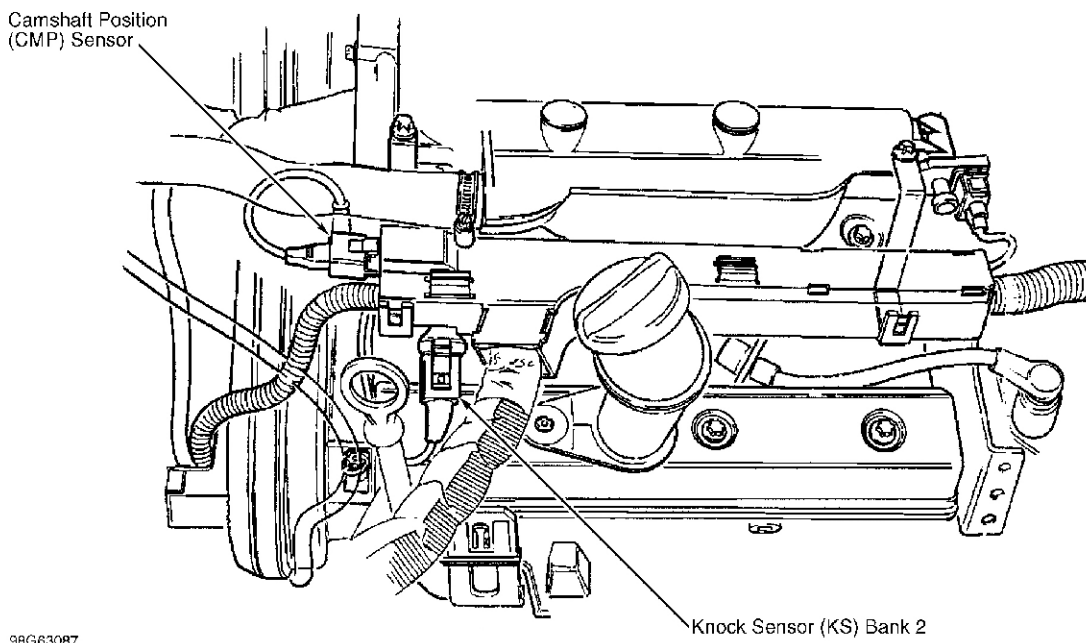
2001 Cadillac Catera

2001 GENERAL MOTORS Catera



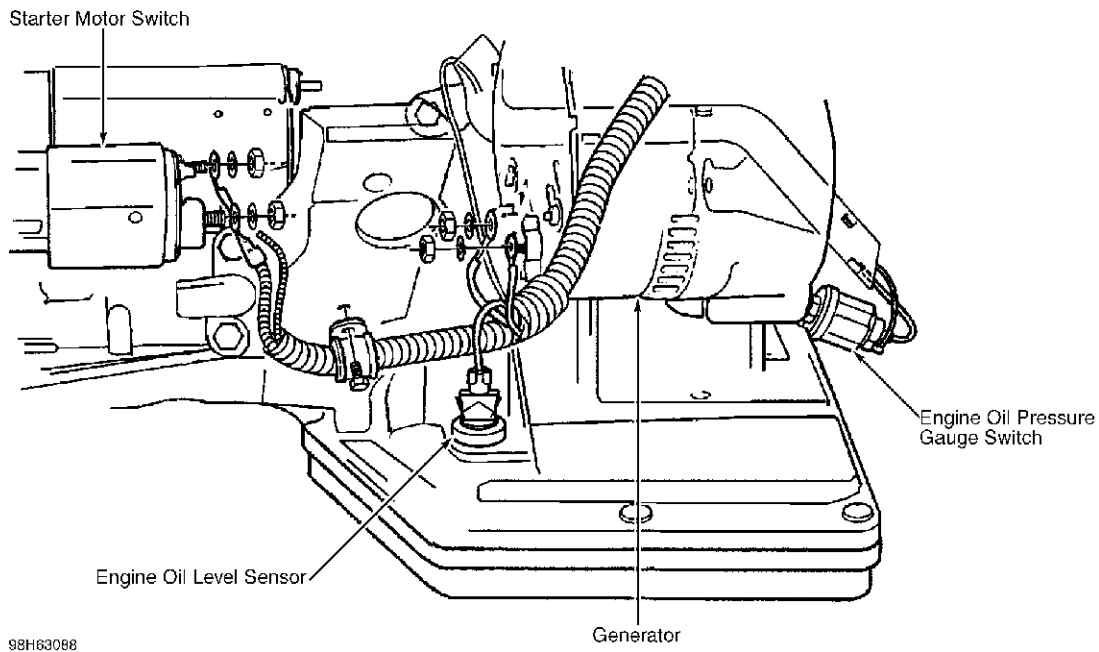
98F63086

**Fig. 2: Top Of Engine**  
Courtesy of GENERAL MOTORS CORP.



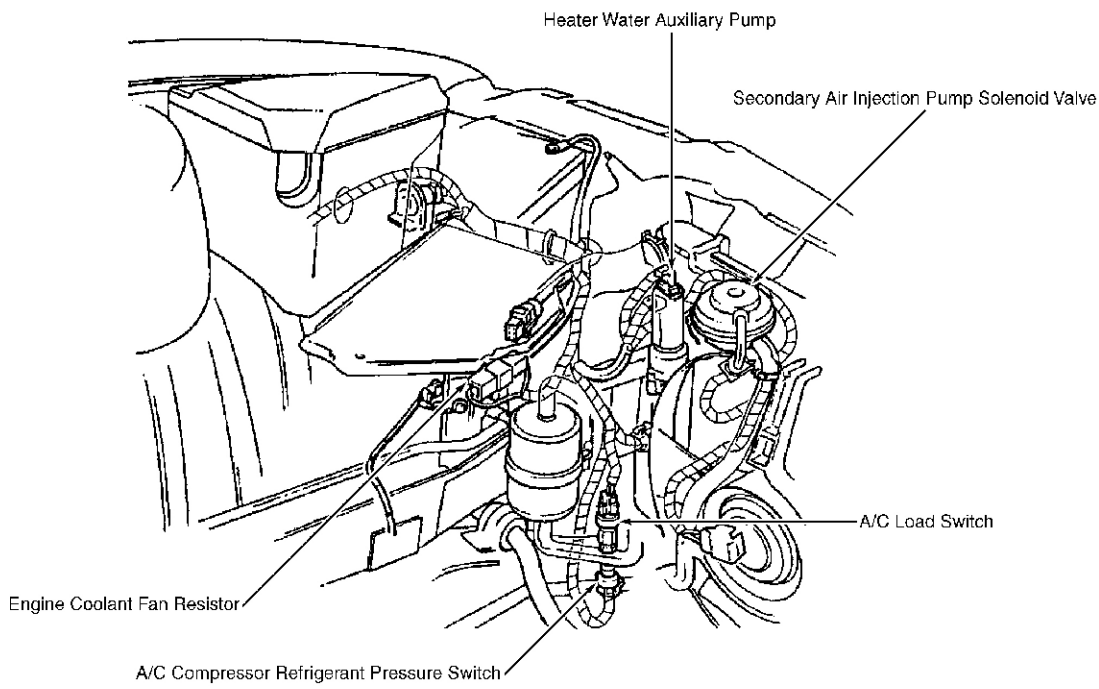
98G63087

**Fig. 3: Front Of Engine Block**  
Courtesy of GENERAL MOTORS CORP.



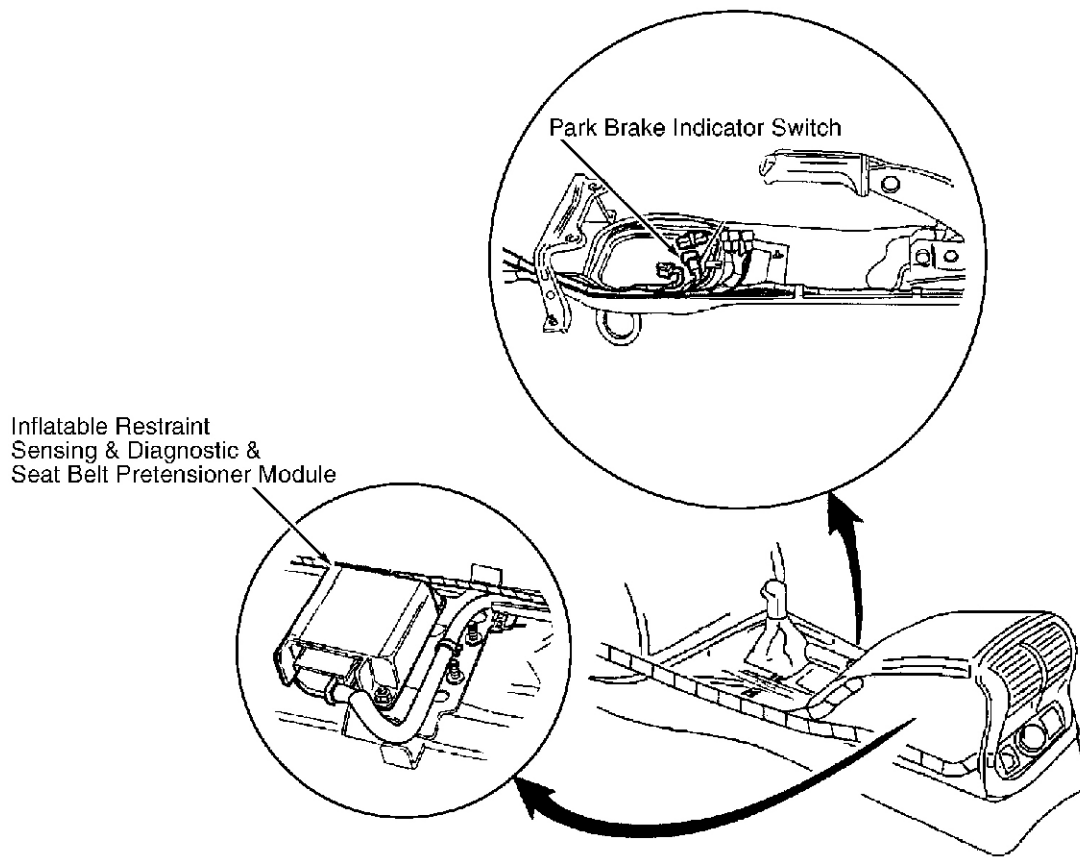
98H63088

**Fig. 4: Lower Front Of Engine**  
Courtesy of GENERAL MOTORS CORP.



98H63089

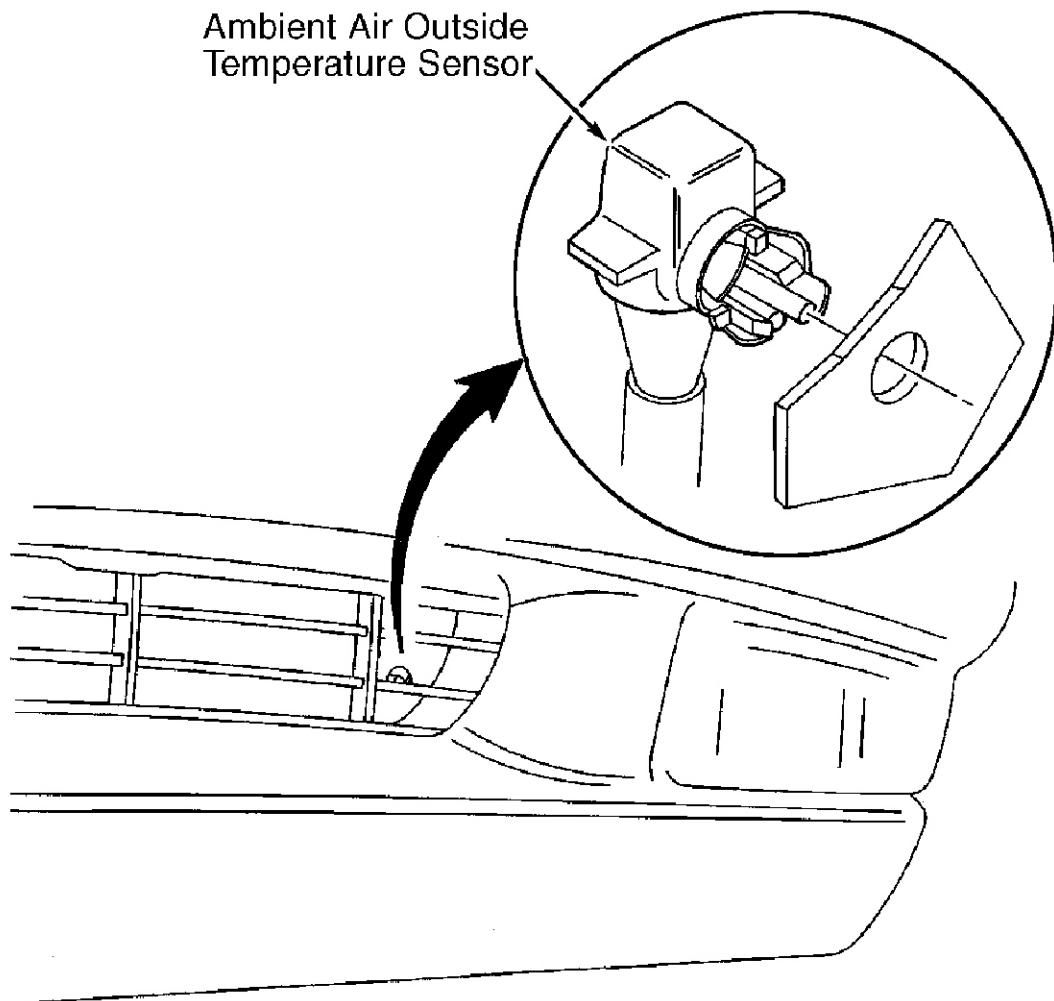
**Fig. 5: Left Front Of Engine Compartment**  
Courtesy of GENERAL MOTORS CORP.



98C63091

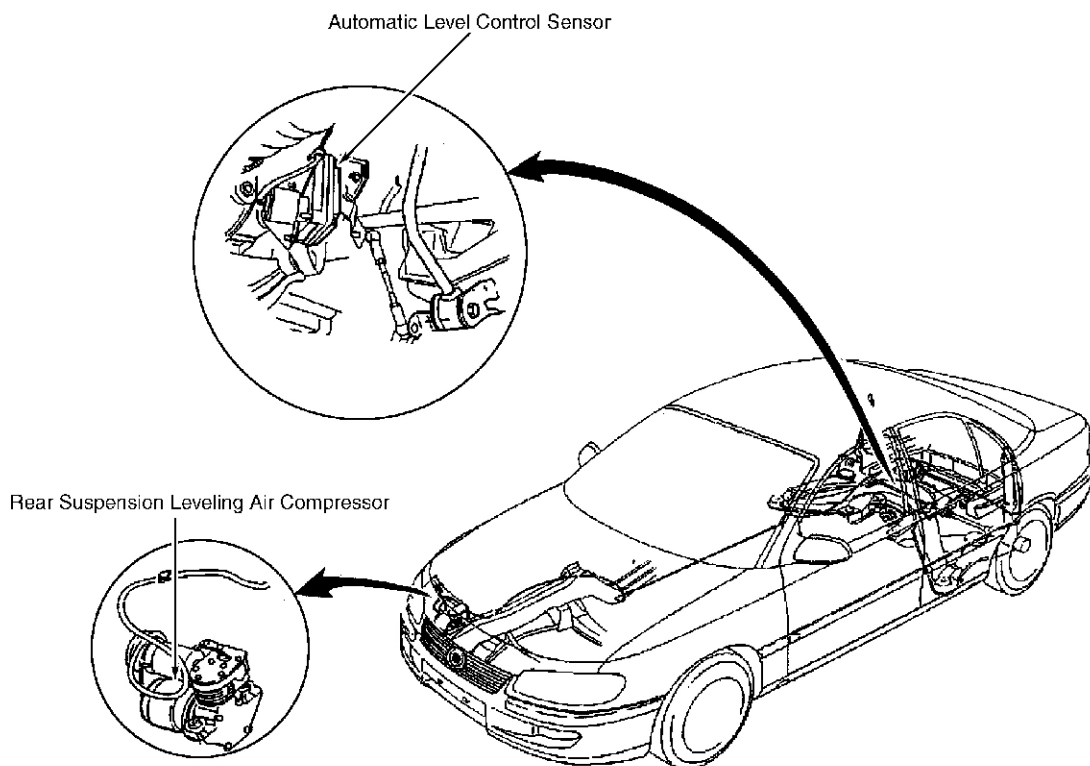
**Fig. 6: Center Console**  
Courtesy of GENERAL MOTORS CORP.





98B63090

**Fig. 7: Grille**  
Courtesy of GENERAL MOTORS CORP.



98D63092

**Fig. 8: Vehicle**

**2001 Cadillac Catera**

2001 GENERAL MOTORS Catera

Courtesy of **GENERAL MOTORS CORP.**

**2001 Cadillac Catera**

2001 GENERAL MOTORS Catera

**2001 Cadillac Catera**

2001 GENERAL MOTORS Catera

**2001 Cadillac Catera**

2001 GENERAL MOTORS Catera

**2001 Cadillac Catera**

2001 GENERAL MOTORS Catera



**2001 Cadillac Catera**

2001 GENERAL MOTORS Catera

**2001 Cadillac Catera**

2001 GENERAL MOTORS Catera