

1997-01 ELECTRICAL

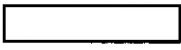
Fuses & Circuit Breakers - Catera

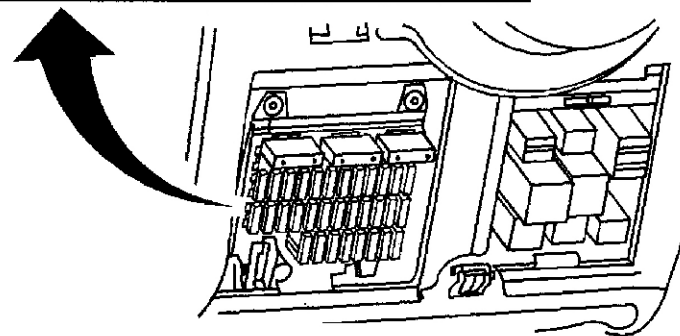
IDENTIFICATION

CAUTION: When battery is disconnected, vehicle computer and memory systems may lose memory data. Driveability problems may exist until computer systems have completed a relearn cycle. See **COMPUTER RELEARN PROCEDURES** article in **GENERAL INFORMATION** before disconnecting battery.

INSTRUMENT PANEL FUSE BLOCK

NOTE: Instrument panel fuse block is located on the lower left hand side of the steering column, mounted to the lower instrument panel. See Fig. 1 .

33 HEATER BLOWER				34 RR WDO DEFOG				35 PWR SEAT			
21 HI BEAM LH	22 LO BEAM LH	23 PRK LP LH	24 CLAMP W PBSL	25 SUN ROOF	26 CLAMP 58	27 ALC	28 DOORLOCK	29 DOME LAMP	30 PRK LP RH	31 LO BEAM RH	32 HI BEAM RH
9 WIPER	10 CLAMP 15a	11 HTD MIRROR	12 HZD	13 O/S MIRROR	14 CLAMP 15	15 CLAMP 15 CRUISE	16 CIG	17 HORN	18 FUEL PUMP	19 ABS	20 HTDSEAT FRONT
				1 PWF	2 CLAMP 16 A/T	3 FLASHER	4 HTDSEAT REAR	5 CLAMP 30 A/T	6 AUDIO	7 PWR	8 RADIO BATT GROUND



G00100831

Fig. 1: Locating & Identifying Instrument Panel Fuse Block
 Courtesy of GENERAL MOTORS CORP.

2001 Cadillac Catera

1997-01 ELECTRICAL Fuses & Circuit Breakers - Catera

Fuse	Name	Rating	Usage
1	PWF	30A	Window Motor Regulator-Right & Left Front, Window Switch-Left Front
2	CLAMP 15 A/T	10A	Switch-Stoplamp, Switch-Cruise Control
3	FLASHER	10A	A/T Range Switch, A/T Control Indicator, Power Steering Control Module, Hazard Warning Switch, Transmission Control Module, A/T Winter Mode Switch
4	HTDSEAT REAR	30A	Heated Seat Relay-Left-Right Rear, Rear Window Sunshade Module, Accessory Power Outlet
5	CLAMP 30 A/T	10A	Transmission Control Module
6	AUDIO	20A	Radio Speaker Amplifier
7	PWR	30A	Window Regulator Motor-Left-Right Rear
8	RADIO BATT GUARD	15A	Headlamp Switch, Turn Signal Switch, Horn Relay K63, CD Changer, Multifunction Relay K134
9	WIPER	30A	Windshield Wiper Motor Relay K8, Windshield Wiper Motor, Windshield Wiper and Windshield Washer Switch
10	CLAMP 15a	10A	Body Control Module, Auxiliary Water Pump Heater, Fan Control Relays, Auxiliary Water Pump Relay
11	HTD MIRROR	10A	Heater and A/C Control, Outside Rear View Mirrors

G00100830

Fig. 2: Instrument Panel Fuse Block Legend (1 Of 2)
Courtesy of GENERAL MOTORS CORP.

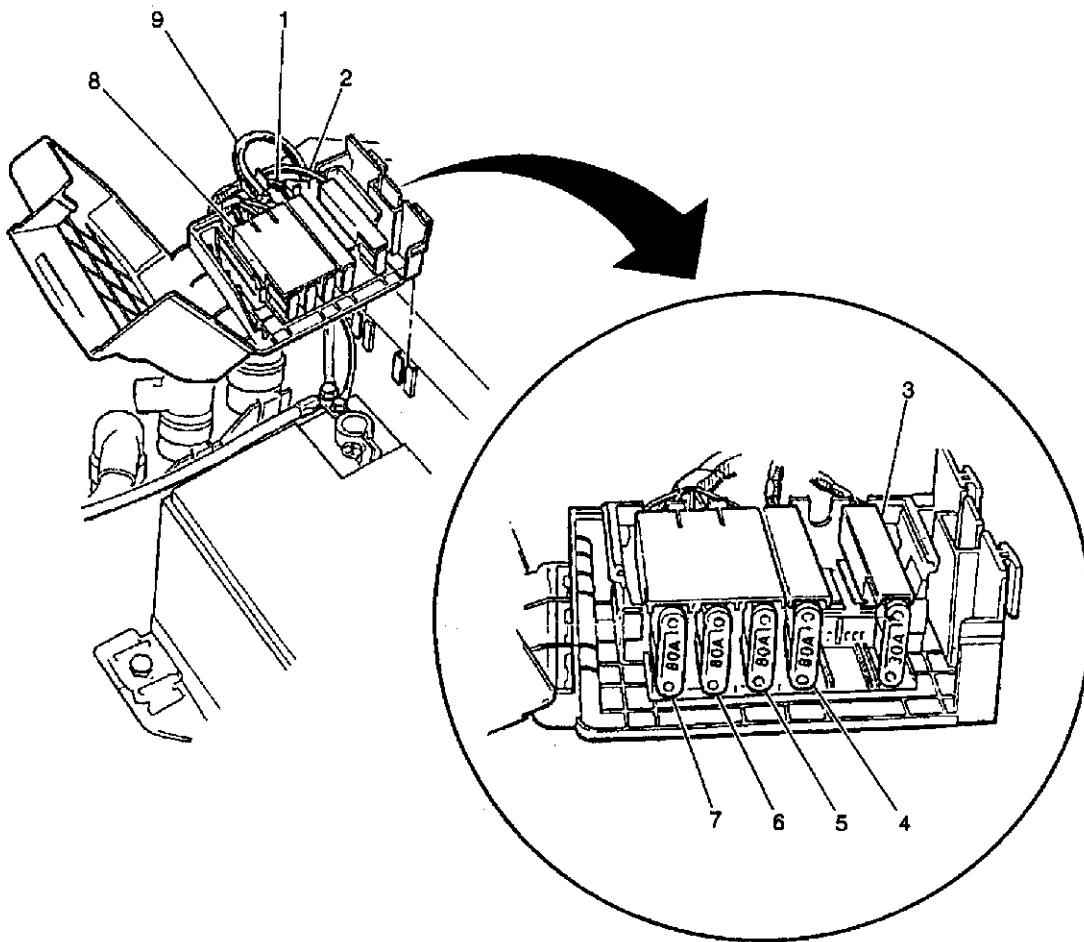
Fuse	Name	Rating	Usage
12	HZD	20A	Hazard Warning Switch, Instrument Panel Cluster, Data Link Connector (DLC), Stop Lamp Switch, Instrument Panel Cluster, Heater and A/C Control
13	O/S MIRROR	10A	Remote Control Outside Rear View Mirror Switch, A/C Compressor Relay, Coolant Fan Test Connector, A/C Load Switch
14	Clamp 15	10A	Cellular Telephone, Windshield Washer Nozzle-Left-Right, Heated Seat Switch-Left-Right Front, Heater and A/C Control, Heated Outside Rear View Mirror, Rear Window Defogger Relay
15	CLAMP 15 CRUISE	15A	Rear Suspension Leveling Air Compressor Relay, Instrument Panel Cluster, Cruise Control Switch, Headlamp Switch, Multifunction Relay, Heated Seat Relays-Left-Right Front, Body Control Module, Sun Roof Actuator, Automatic Level Control Sensor, Heated Seat Switch-Left-Right, Heated Seat Relays-Left-Right Rear, Seat Memory Module-Driver, Window Switch-Driver, Inside Rear View Mirror
16	CIG	20A	Cigarette Lighter (Front-Console)
17	HORN	20A	Horn #1-#2
18	FUEL PUMP	20A	Fuel Pump
19	ABS	10A	Electronic Brake Control Module
20	HTDSEAT FRONT	30A	Heated Seat Relay-Driver- Passenger
21	HI BEAM LH	10A	Daytime Running Lamp (DRL) Relay, Headlamp Relay (High Beam) -Left
22	LO BEAM LH	10A	Headlamp Switch-Left, Headlamp (Low Beam)-Left
23	PRK LP LH	10A	Multifunction Relay, Park/Turn Signal Lamp-Left, Stop/Taillamp-Left, Rear Side Marker Lamp-Left
24	CLAMP W PBSL	10A	Lifting Magnet, Body Control Module, Instrument Panel Cluster
25	SUN ROOF	20A	Sun Roof Actuator
26	CLAMP 58	10A	Headlamp Switch, Side Marker Lamp-Right-Left Front, Taillamp (Middle), License Lamps, Radio, A/T Control Indicator, Heater and A/C Control
27	ALC	20A	Automatic Level Control Sensor, Rear Suspension Leveling Air Compressor Relay,
28	DOOR LOCK	20A	Door Lock Relay,
29	DOMELAMP	10A	Multifunction Relay, OnStar System
30	PRK LP RH	10A	Park/Turn Signal Lamp-Right, Stop/Taillamp- Right, Side Marker Lamp-RR
31	LO BEAM RH	10A	Headlamp (Low Beam)-Right, Turn Signal Switch
32	HI BEAM RH	15A	Headlamp Relay (High Beam) -Right
33	HEATER BLOWER	30A	A/C Compressor Relay, Blower Controller
34	RR WDO DEFOG	40A	Heated Outside Rear View Mirror and Rear Window Defogger Relay
35	PWR SEAT	30A	Seat Switch-LF-RF, Memory Seat Module-LF

G00078176

Fig. 3: Instrument Panel Fuse Block Legend (2 Of 2)
Courtesy of GENERAL MOTORS CORP.

POWER DISTRIBUTION BLOCK

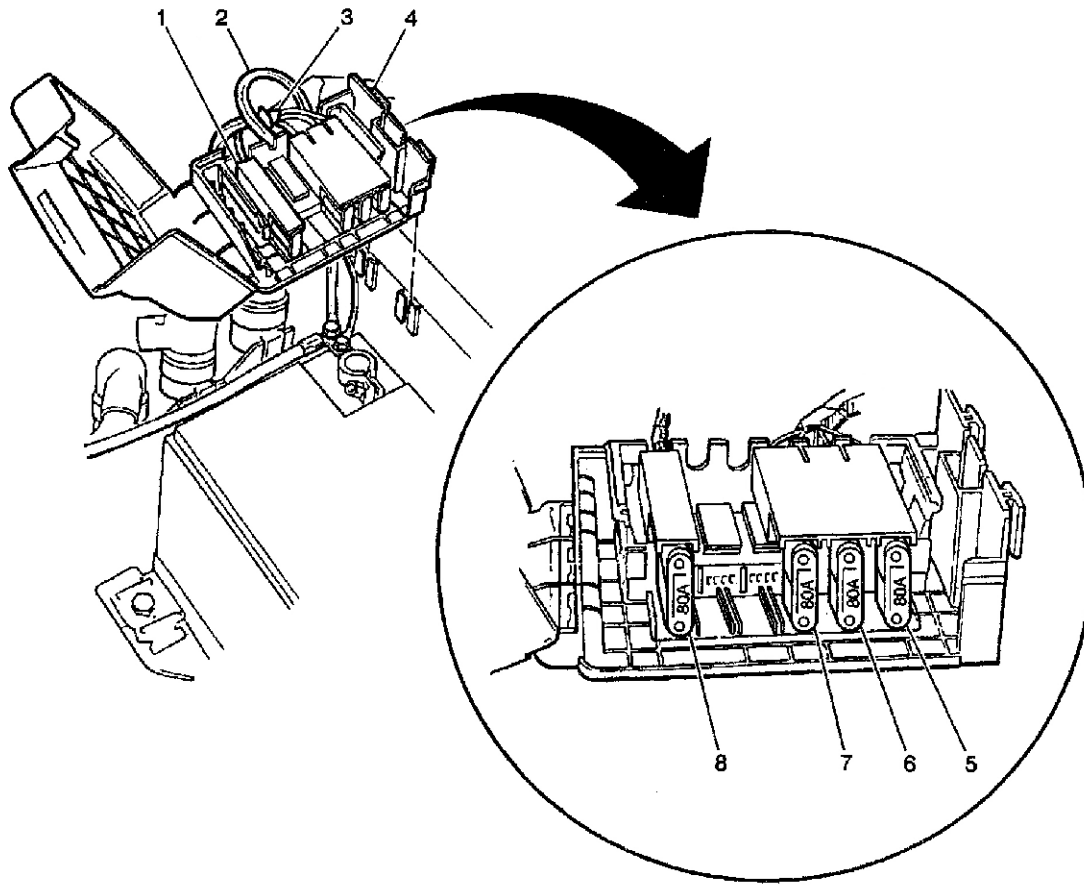
NOTE: Power distribution block is located on driver's side of engine compartment, near battery.



- | | |
|-----------------------------------|-------------------------------------|
| (1) Body Wiring Harness | (6) Fuse V3 (80A) |
| (2) Power Distribution Fuse Block | (7) Fuse V2 (80A) |
| (3) Fuse V5 (30A) | (8) Instrument Panel Wiring Harness |
| (4) Fuse V4 (80A) | (9) Positive Battery Cable |
| (5) Fuse V1 (80A) | |

G00100833

Fig. 4: Locating & Identifying Power Distribution Fuse Block (1997-98)
Courtesy of GENERAL MOTORS CORP.



- (1) Body Wiring Harness
- (2) Positive Battery Cable
- (3) Instrument Panel Wiring Harness
- (4) Power Distribution Fuse Block

- (5) Fuse V6 (80A)
- (6) Fuse V5 (80A)
- (7) Fuse V4 (80A)
- (8) Fuse V1 (80A)

G00100234

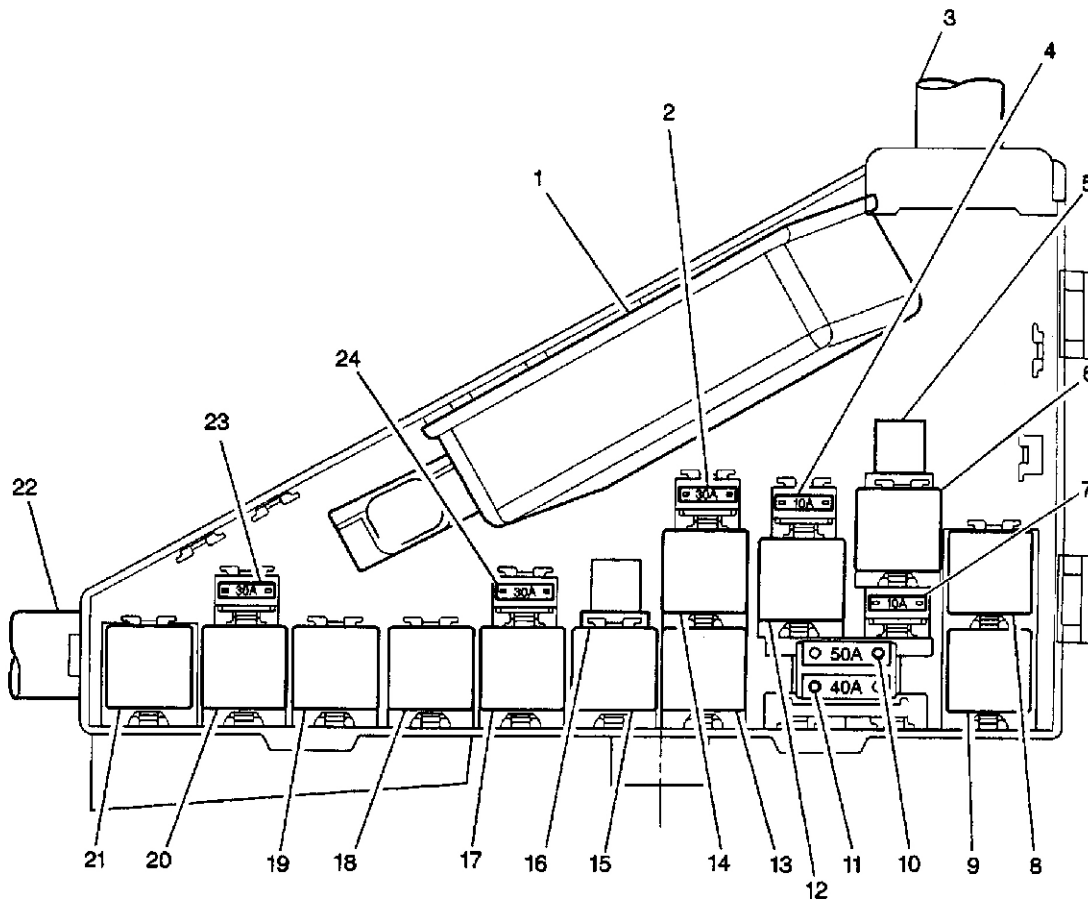
Fig. 5: Locating & Identifying Power Distribution Fuse Block (1999-01)
Courtesy of GENERAL MOTORS CORP.

ECM HOUSING

NOTE: ECM housing is located on driver's front corner of engine compartment.

2001 Cadillac Catera

1997-01 ELECTRICAL Fuses & Circuit Breakers - Catera



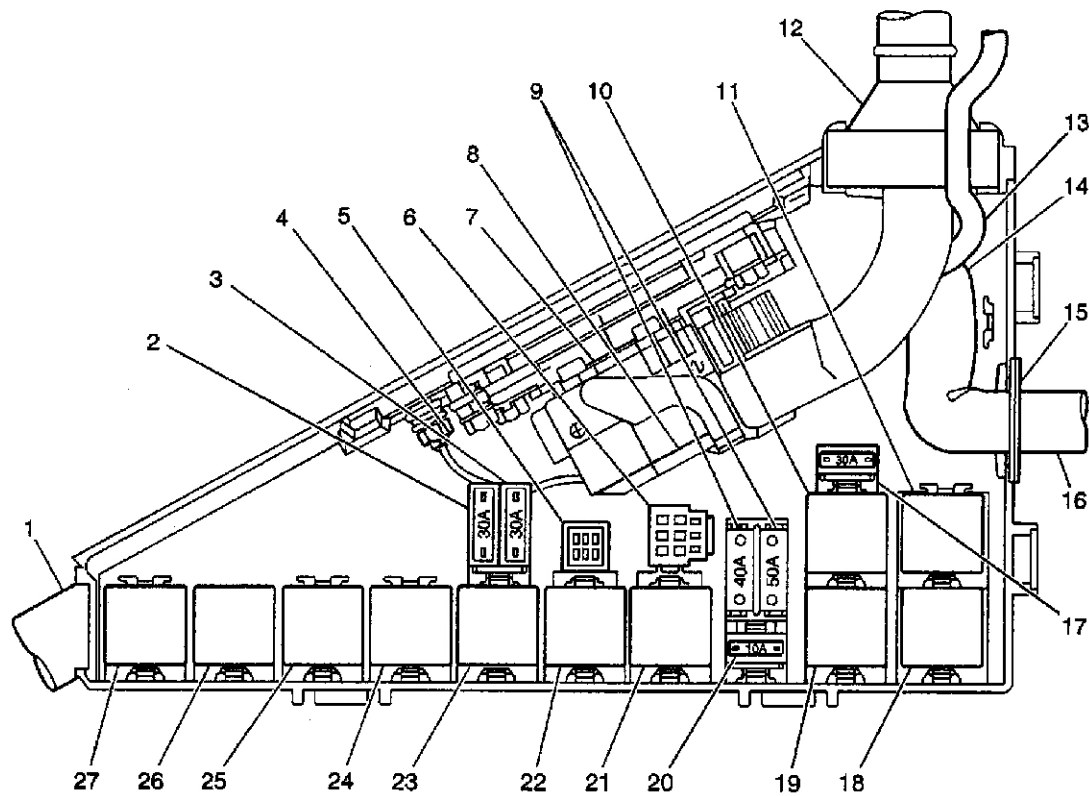
- | | |
|-------------------------------------|---|
| (1) Engine Control Module | (13) Fan Control Relay K26 |
| (2) Fuse #43 | (14) Fan Control Relay K52 |
| (3) ECM Wiring Harness | (15) Fan Control Relay K87 |
| (4) Fuse #60 | (16) Inline Connector C110 |
| (5) Coolant Fan Test Connector | (17) A/C Compressor Relay K60 |
| (6) ECM Relay K48 | (18) Windshield Wiper Motor Relay K8 |
| (7) Fuse #50 | (19) Auxiliary Water Pump Relay K22 |
| (8) Fuel Pump Relay K44 | (20) Fan Control Relay K60 |
| (9) Engine Controls Power Relay K43 | (21) Secondary Air Injection Pump Relay K12 |
| (10) Fuse #49 | (22) A/C Control Wiring Harness |
| (11) Fuse #42 | (23) Fuse #40 |
| (12) Fan Control Relay K28 | (24) Fuse #52 |

G00100836

Fig. 6: Identifying ECM Housing Components (1997-98)
Courtesy of GENERAL MOTORS CORP.

2001 Cadillac Catera

1997-01 ELECTRICAL Fuses & Circuit Breakers - Catera



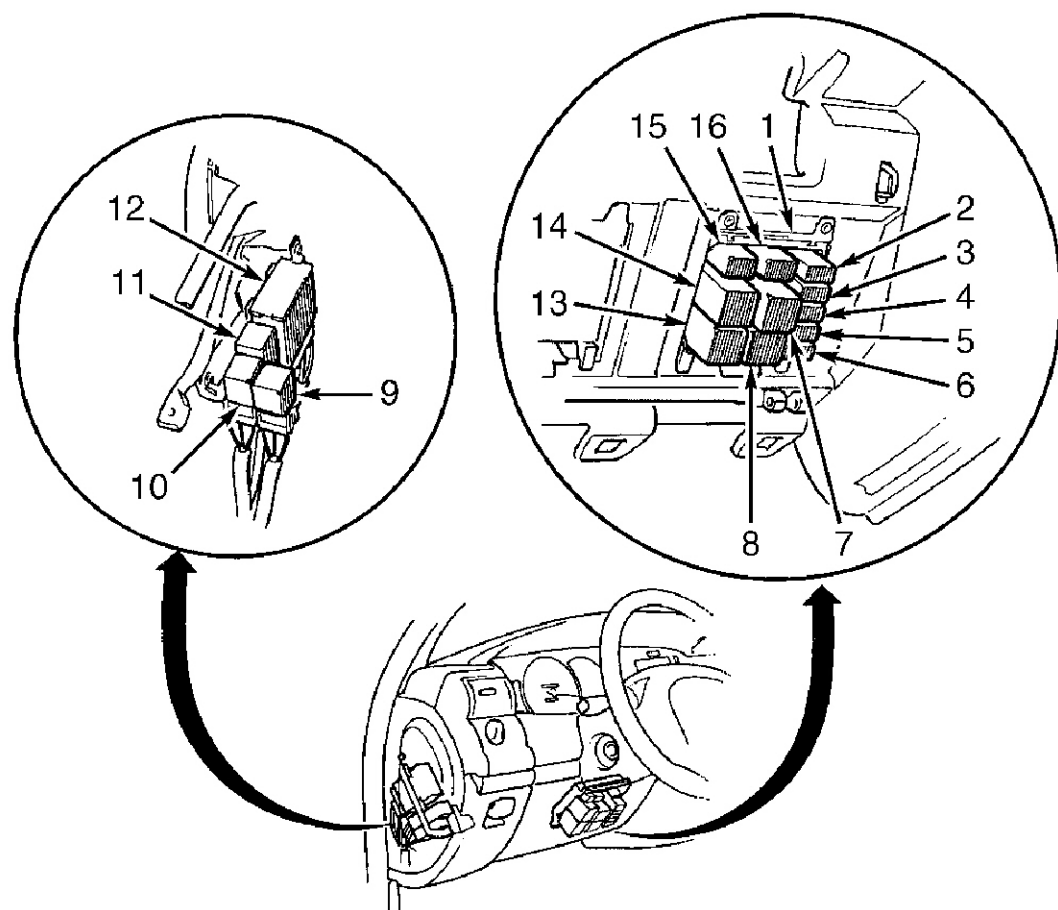
- | | |
|---------------------------------------|---|
| (1) Additional Harness | (15) P104 |
| (2) Fuse #40 (30A) | (16) I/P Harness |
| (3) Fuse #52 (30A) | (17) Fuse #43 |
| (4) ECM Ground | (18) Engine Controls Power Relay K43 (Violet) |
| (5) Connector C110 | (19) Fan Control Relay K52 (Brown) |
| (6) Coolant Fan Test Connector | (20) Fuse #50 (For Relays K26 & K48) |
| (7) ECM Module | (21) Fan Control Relay K26 (Gray) |
| (8) ECM Connector C1 | (22) Fan Control Relay K87 (Green) |
| (9) A Fuse #42 (40A) B Fuse #49 (50A) | (23) A/C Compressor Relay K60 (Green) |
| (10) Fan Control Relay K28 (Orange) | (24) Windshield Wiper Motor Relay K8 (Yellow) |
| (11) Fuel Pump Relay K44 (Violet) | (25) Auxiliary Water Pump Relay K22 (White) |
| (12) P108 | (26) Fan Control Relay K67 (Blue) |
| (13) Additional Harness to Battery | (27) Secondary Air Injection Pump Relay K12 (Brown) |
| (14) Instrument Panel Wiring Harness | |

G00100836

Fig. 7: Identifying ECM Housing Components (1999-01)
Courtesy of GENERAL MOTORS CORP.

RELAY BOX

NOTE: Relay blocks are located under driver's side of instrument panel. See [Fig. 8](#).



- | | |
|-------------------------------------|--|
| 1. Relay Box | 10. Driver's Seat Heater Relay |
| 2. Parking Light Relay | 11. Power Steering Control Module |
| 3. Low Beam Relay | 12. Multifunction Relay Module |
| 4. Not Used | 13. Right Headlight (High Beam) Relay |
| 5. Not Used | 14. Heated Outside Rearview Mirror & Rear Defogger Relay |
| 6. Left Headlight (High Beam) Relay | 15. Daytime Running Light (DRL) Relay |
| 7. Turn Signal Light Flasher | 16. Rear Suspension Leveling Air Compressor Relay |
| 8. Horn Relay | |
| 9. Passenger's Seat Heater Relay | |

G97C28201

Fig. 8: Locating & Identifying Instrument Panel Relay Blocks
 Courtesy of GENERAL MOTORS CORP.

2001 Cadillac Catera

1997-01 ELECTRICAL Fuses & Circuit Breakers - Catera